

CONTENTS

| | |
|---|----|
| TOP COVER REMOVAL | 2 |
| EXPLODED VIEW | 3 |
| MAIN UNIT | 4 |
| Parts Layout | 4 |
| Circuit Diagram | 5 |
| FILTER UNIT | 7 |
| Parts Layout | 7 |
| Circuit Diagram | 7 |
| NB UNIT | 7 |
| Parts Layout | 7 |
| Circuit Diagram | 7 |
| LOCAL UNIT | 8 |
| Parts Layout | 8 |
| Circuit Diagram | 9 |
| 100W PA UNIT | 10 |
| Parts Layout | 10 |
| Circuit Diagram | 10 |
| LPF UNIT | 11 |
| Parts Layout | 11 |
| Circuit Diagram | 11 |
| DISPLAY UNIT | 12 |
| Parts Layout | 12 |
| Circuit Diagram | 13 |
| CONNECTION DIAGRAM | 14 |
| LEVEL DIAGRAM | 15 |
| Transmit | 15 |
| Receive | 16 |
| SIGNAL PATH | 17 |
| SSB MODE | 17 |
| CW MODE | 18 |
| AM MODE | 19 |
| FM MODE | 20 |
| ALIGNMENT | 21 |
| I. Local Unit | 23 |
| II. Main Unit - Receiver | 24 |
| III. Main Unit - Transmitter | 26 |
| IV. Noise Blanker Unit | 27 |
| V. 100W PA Unit (Idling Current) | 27 |
| VI. LPF Unit (CM Coupler Balance) | 28 |
| VII. Main Unit (AFP - Automatic Final Protection) | 28 |
| PARTS LIST | 29 |



This manual is intended to serve as a supplement to the FT-747GX Operating Manual. Detailed information regarding functions, installation, interconnections and operation has been provided in the Operating Manual, and is not reprinted herein. Therefore, this supplement is not intended to serve as an independent reference, but to be used in conjunction with the information provided in the Operating Manual.

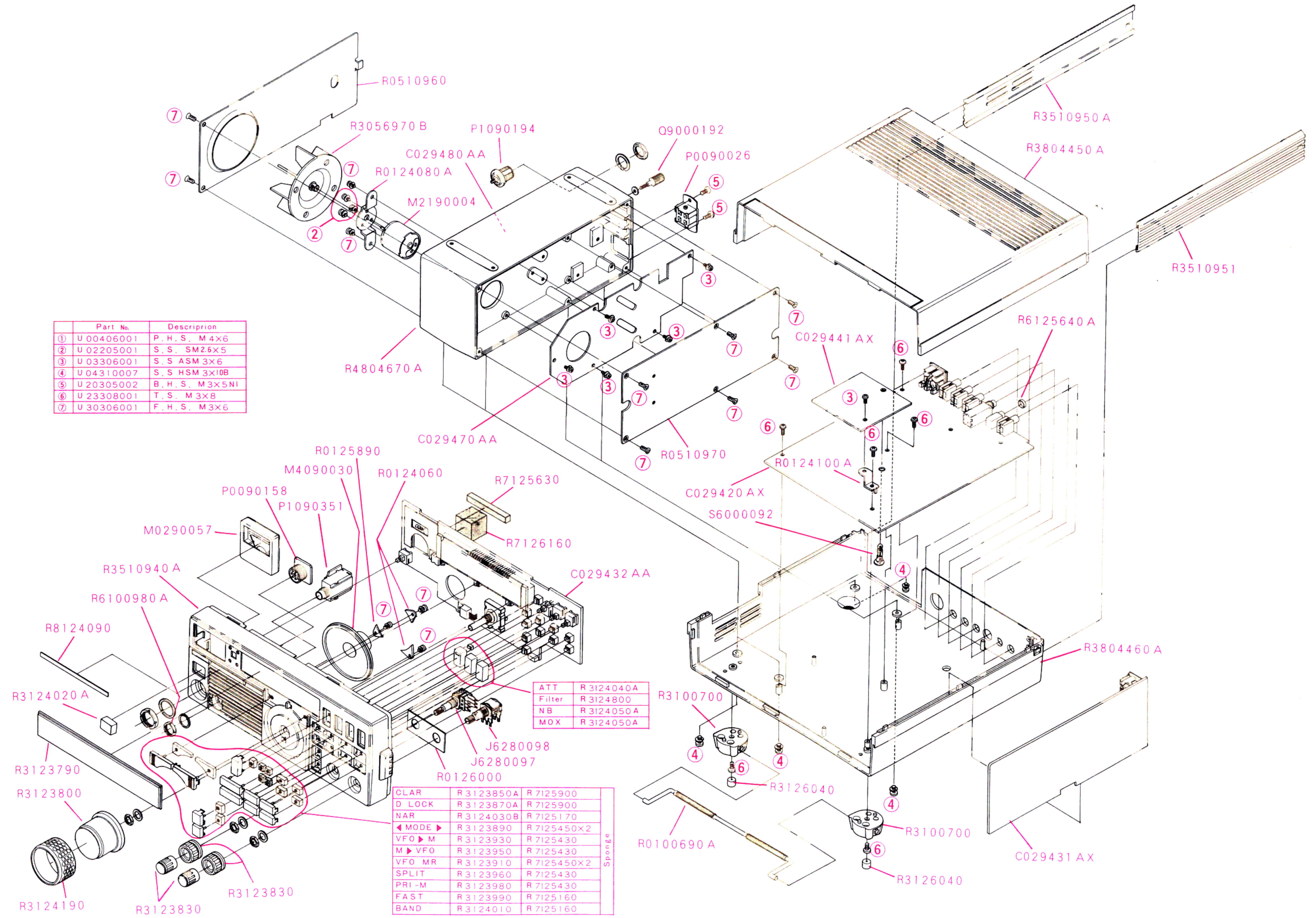
Because there are nearly two hundred and fifty semiconductor devices in the FT-747GX, circuit description information is provided in the form of numerous block diagrams. We hope that this manner of providing functional information proves to be more convenient for the owner and technician than would a lengthy verbal description. Those readers unfamiliar with the basic types of analog and digital circuits that serve as the building blocks of the FT-747GX are encouraged to study instructional material, such as that provided in handbooks on amateur radio and digital circuit design, before attempting to understand the design of the FT-747GX. Each block in the block diagrams represents one such basic circuit. General information on integrated circuits and their applications is available in the data provided by the IC manufacturers. Specific circuit details are provided in the schematic diagrams in this manual.

While we believe the technical information in this manual is correct, Yaesu assumes no liability for damage that may occur as a result of typographical or other errors that may be present. Your cooperation in pointing out any inconsistencies in the technical information would be appreciated.

Yaesu Musen reserves the right to make changes in the circuitry of this transceiver, in the interest of technological improvement, without obligation to notify owners or to modify any sets produced prior to the modification.

ach side to

away from
both hands
Figure 2.
(1) which
a clip at
horizontally.
match the
olding the
osition, and
ut 2 cen-
clips clear



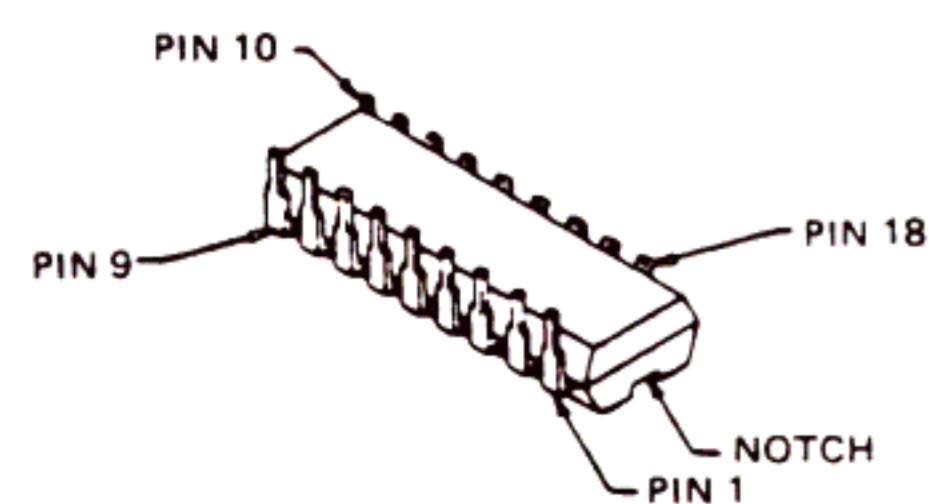
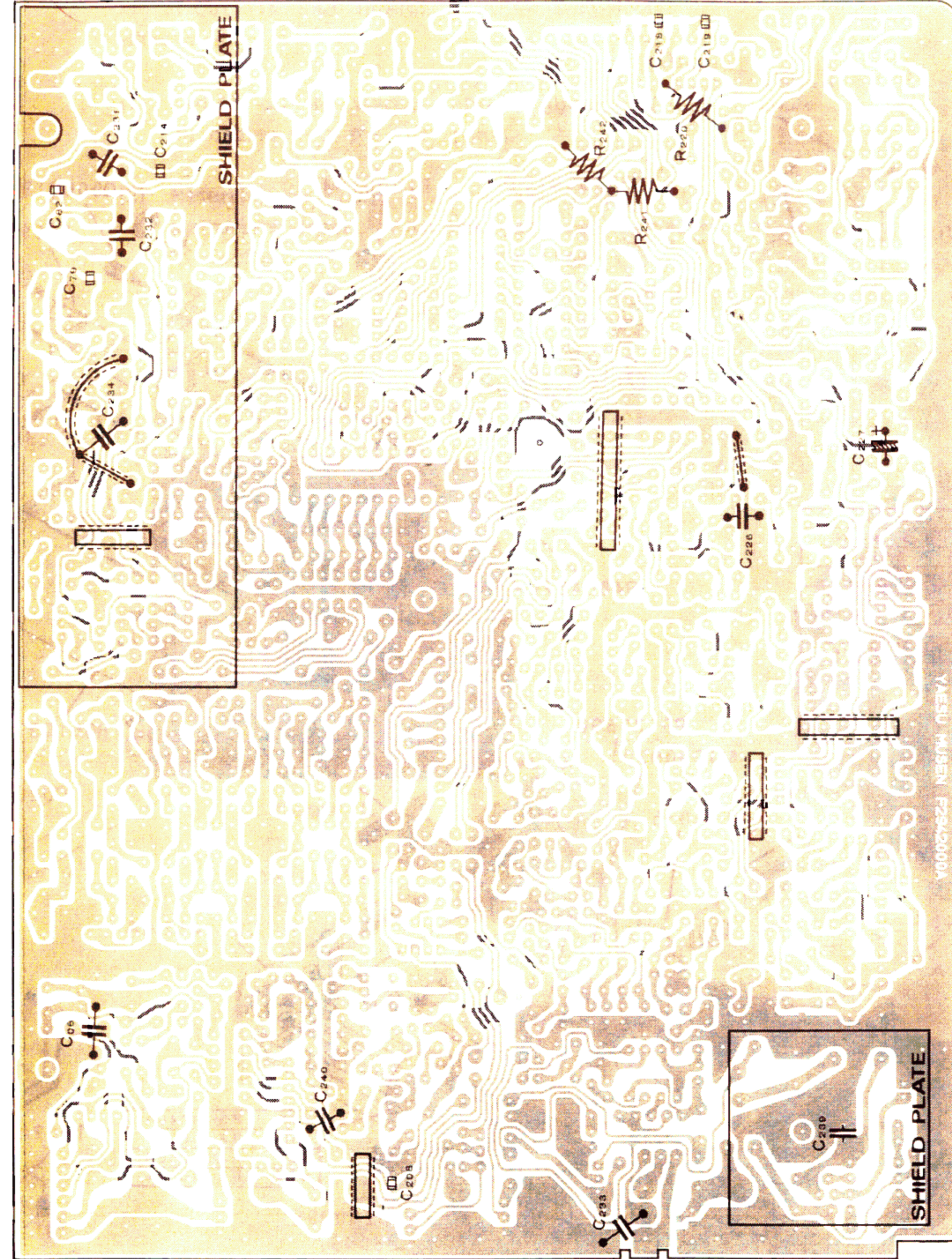
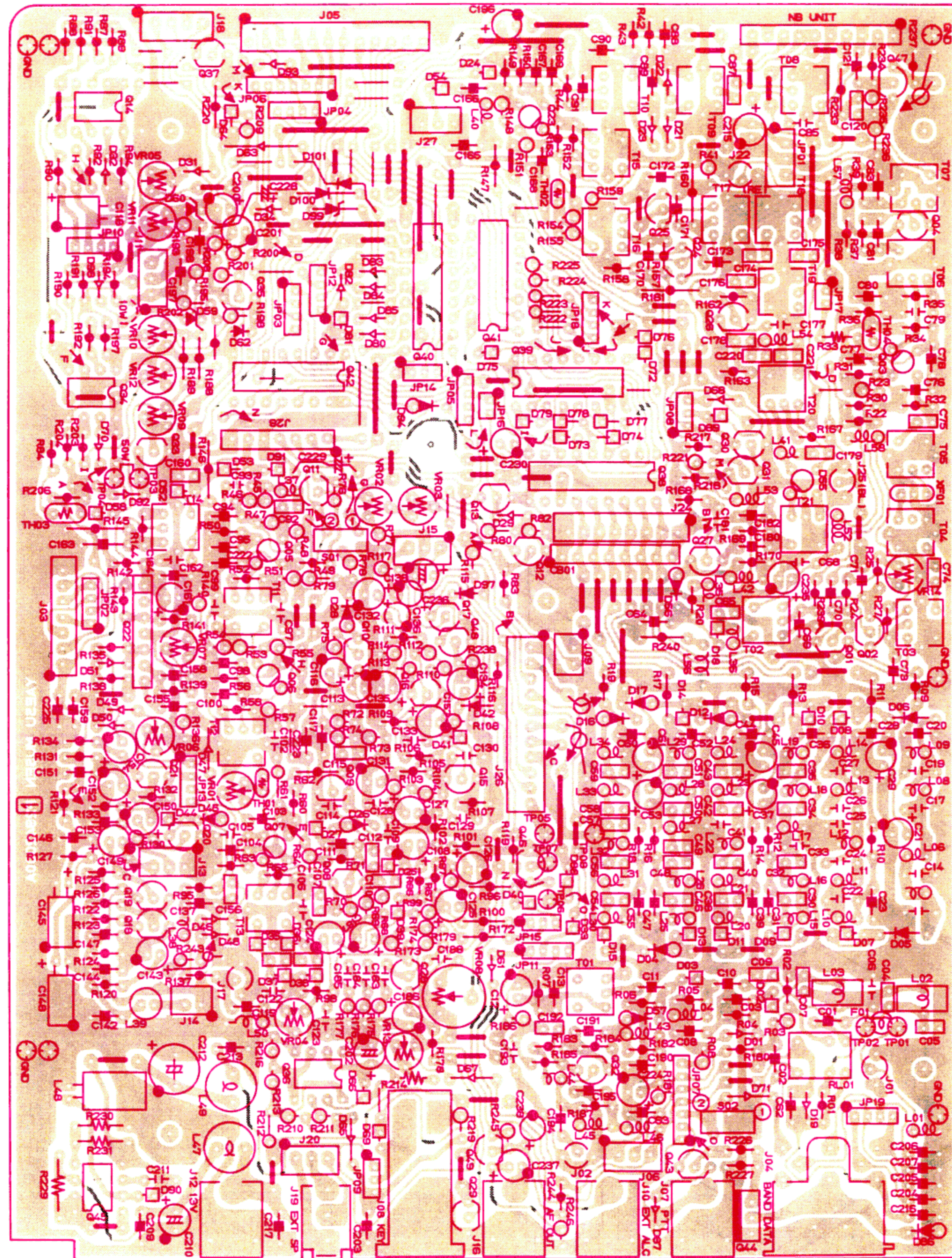
| Part No. | Description |
|--------------|------------------|
| ① U 00406001 | P. H. S. M 4X6 |
| ② U 02205001 | S. S. SM 2.6X5 |
| ③ U 03306001 | S. S. ASM 3X6 |
| ④ U 04310007 | S. S. HSM 3X10B |
| ⑤ U 20305002 | B. H. S. M 3X5NI |
| ⑥ U 23308001 | T. S. M 3X8 |
| ⑦ U 30306001 | F. H. S. M 3X6 |

| | |
|--------|------------|
| ATT | R 3124040A |
| Filter | R 3124800 |
| NB | R 3124050A |
| MOX | R 3124050A |

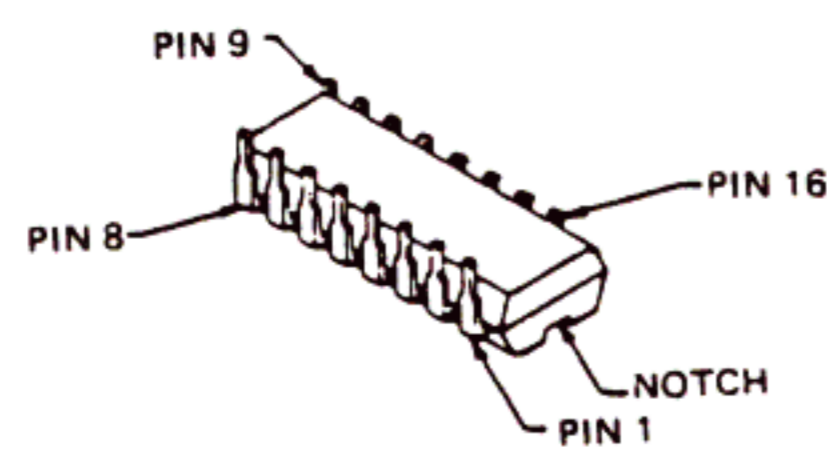
| | | |
|----------|------------|-------------|
| CLAR | R 3123850A | R 7125900 |
| D LOCK | R 3123870A | R 7125900 |
| NAR | R 3124030B | R 7125170 |
| ◀ MODE ▶ | R 3123890 | R 7125450X2 |
| VFO ▶ M | R 3123930 | R 7125430 |
| M ▶ VFO | R 3123950 | R 7125430 |
| VFO MR | R 3123910 | R 7125450X2 |
| SPLIT | R 3123960 | R 7125430 |
| PRI-M | R 3123980 | R 7125430 |
| FAST | R 3123990 | R 7125160 |
| BAND | R 3124010 | R 7125160 |

Sponge

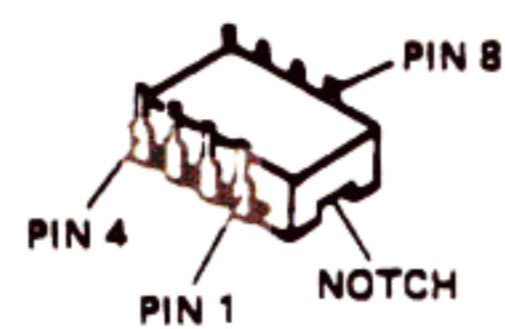
PARTS LAYOUT



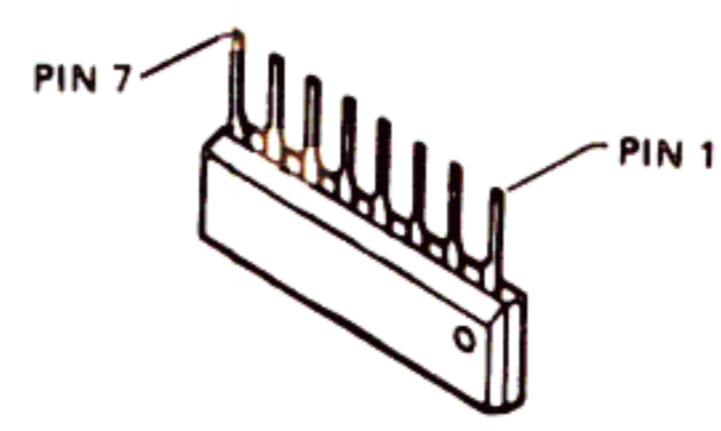
M54563P (Q1038)
M54564P (Q1040)



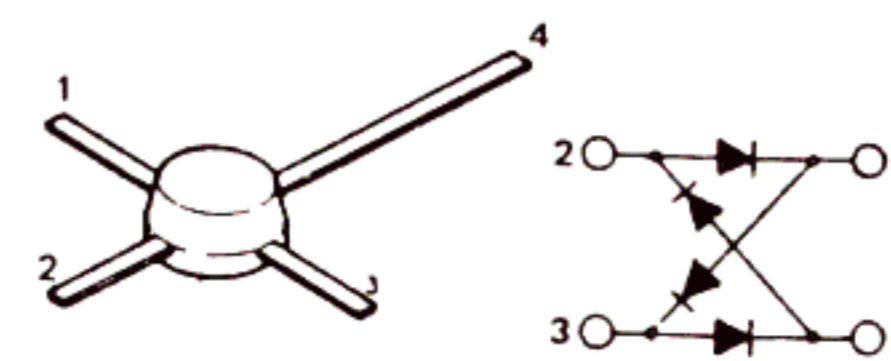
μPD4028BC (Q1039)
μPD4094BC (Q1041,1042)



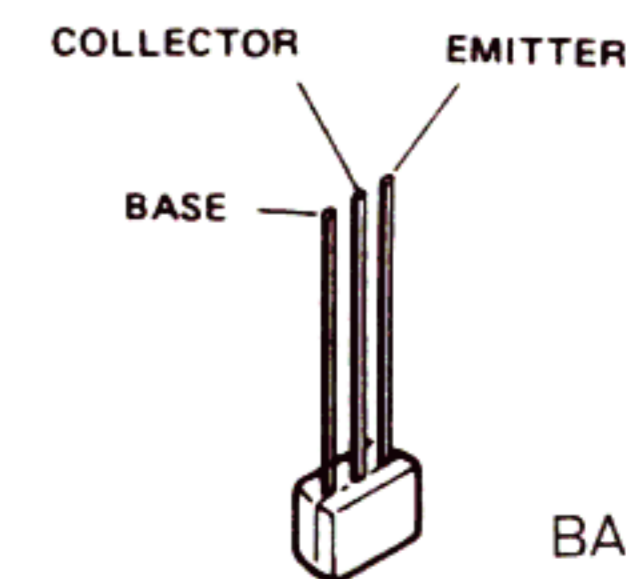
IR3M03A (Q1045)
M5218P (Q1014,1034)
M5223P (Q1036)



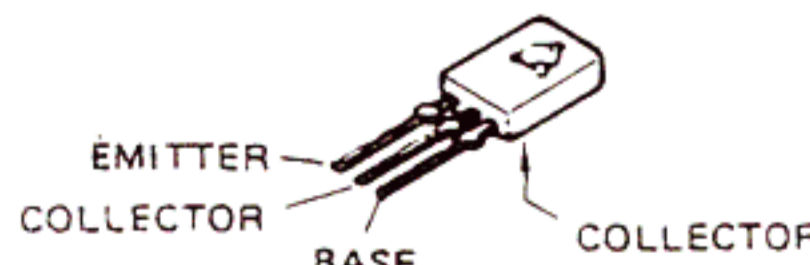
μPC1037H (Q1022)



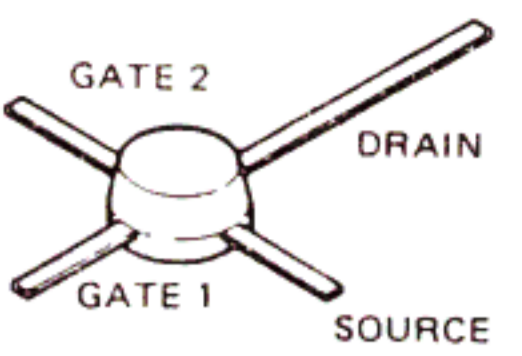
ND487C2-3R (D1055)



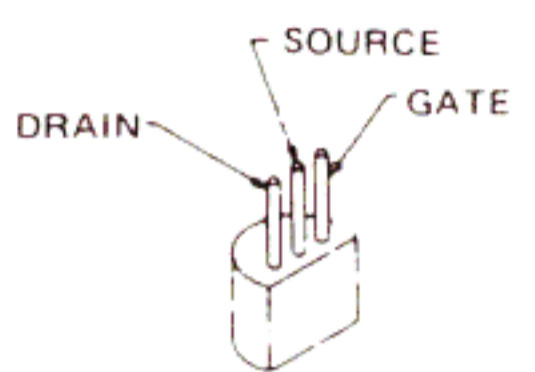
BA1A4M (Q1013,1020,1029,1030,
1033,1037,1046)
BA1L3Z (Q1017,1048)
DTA143ES (Q1031,1043)



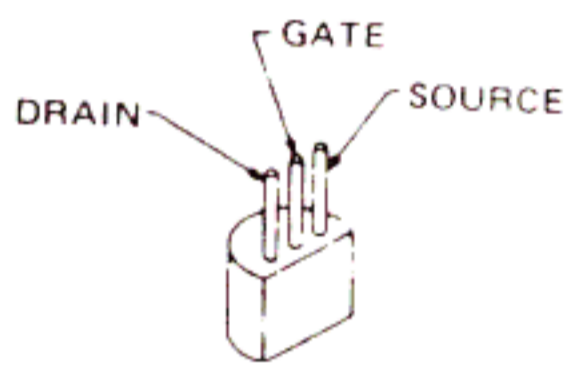
2SD669A (Q1044)



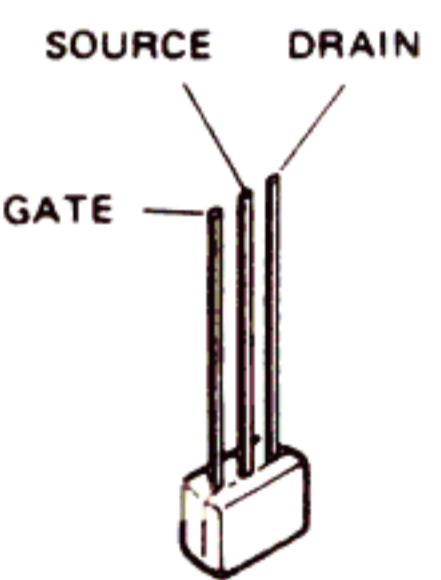
3SK74L (Q1003,
1005~1007,
1023)



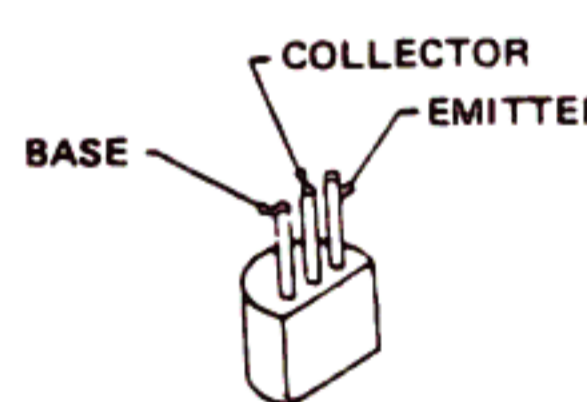
2SK104J (Q1010)



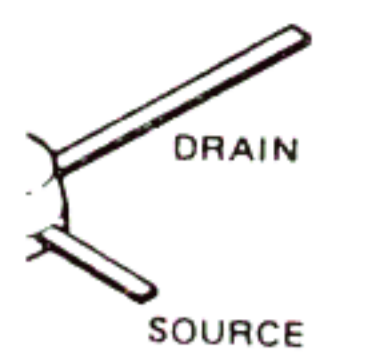
2SK125 (Q1001,1002,
1027)



2SK192AGR (Q1011)
2SK241GR (Q1004,1024,
1025)



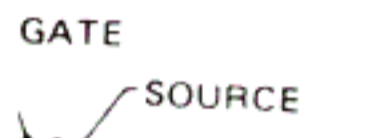
2SA733AP (Q1012)
2SC458B (Q1008,1009,
1015,1016,
1018,1019,
1021,1028,
1047,1049)
2SC458BTZ (Q1035)
2SC535B (Q1026)
2SC2053 (Q1032)



003,
005~1007,
023



010)



001,1002,
027



Q1011)
Q1004,1024,
1025

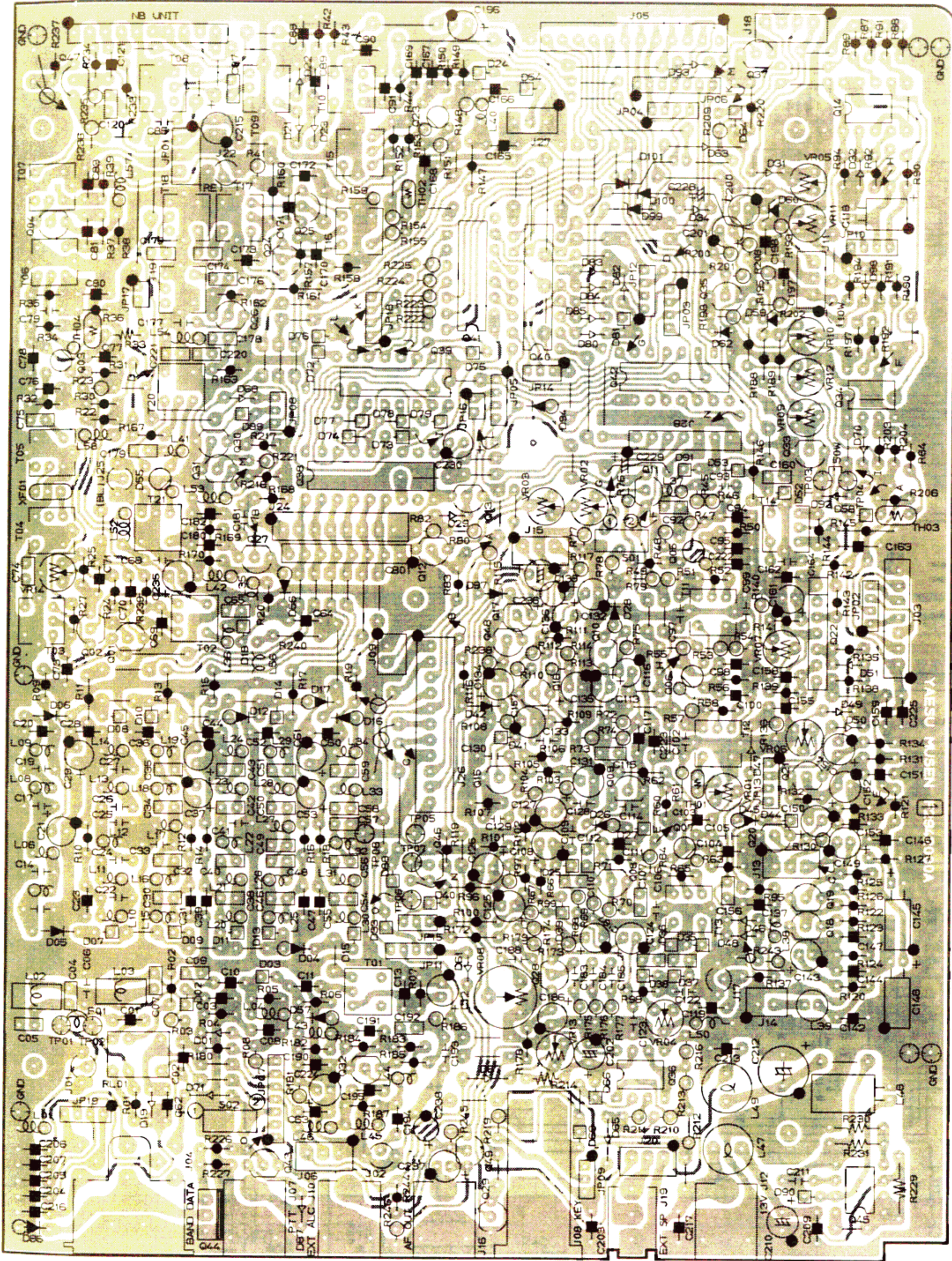


1012)
1008,1009,
015,1016,
018,1019,
021,1028,
047,1049

Q1035)
Q1026)
Q1032)



Q1044)



Component side (reverse)

MAIN UNIT VOLTAGE CHART
(DC VOLT)

| | E (S) | C (D) | B (G ₁) | (G ₂) | REMARKS |
|-------|--------------|--------------|---------------------|-------------------|--|
| Q1001 | 25/-0.1 | 127/134 | -0.7/-5.1 | | RX/TX |
| Q1002 | 25/-0.1 | 127/134 | -0.7/-5.1 | | RX/TX |
| Q1003 | 2.0/0 | 132/134 | 1.5/-4.1 | 3.2/3.2 | RX/TX |
| Q1004 | 0.6 | 13.4 | 0 | | |
| Q1005 | 1.7/0 | 7.8/8.8 | 1.7/-4.0 | 3.4/3.4 | RX/TX |
| Q1006 | 2.2 | 7.4 | 2.4 | 3.4 | |
| Q1007 | 1.9 | 8.0 | 1.8 | 3.6 | |
| Q1008 | 4.8 | 8.3 | 5.5 | | |
| Q1009 | 0 | 3.4 | 0.1 | | |
| Q1010 | 3.6 | 3.6 | 0 | | |
| Q1011 | 6.2 | 8.8 | 3.4 | | |
| Q1012 | 5.3/0.7 | 0/0 | 4.7/4.6 | | RX/TX |
| Q1013 | 0/0 | 5.0/0.1 | 0/4.3 | | RX/TX |
| Q1015 | 4.2 | 8.4 | 4.8 | | |
| Q1016 | 1.3 | 4.4 | 2.0 | | |
| Q1017 | 0/0 | 0/0 | 0.1/3.7 | | RX/TX |
| Q1018 | 0.1 | 1.4 | 0.7 | | |
| Q1019 | 0.8 | 4.2 | 1.4 | | |
| Q1020 | 0/0 | 0/0 | 7.0/0 | | RX/TX |
| Q1021 | 3.0 | 8.4 | 3.6 | | |
| Q1023 | 1.9 | 0 | 1.8 | 3.2 | |
| Q1024 | 0/0.6 | 8.9/8.6 | -3.9/0.1 | | RX/TX |
| Q1025 | 0/0.6 | 8.9/8.6 | -3.9/0.1 | | RX/TX |
| Q1026 | 3.0 | 7.5 | 3.8 | | |
| Q1027 | 0/1.6 | -4.0/0.1 | 0/6.9 | | RX/TX |
| Q1028 | 0.6(0.3/0.6) | 7.7(7.7/3.7) | 1.0(1.0/0.9) | | RX CW(TX CW KEY UP/DWN) |
| Q1029 | 0(0/0) | 0.6(0.6/0) | 0(0/1.0) | | RX CW(TX CW KEY UP/DWN) |
| Q1030 | 0(0/0) | 0(7.5/0) | 0(0/10.5) | | RX CW(TX CW KEY UP/DWN) |
| Q1031 | 0(7.5/7.5) | 0(-0.5/7.5) | 0(7.5/0) | | RX CW(TX CW KEY UP/DWN) |
| Q1032 | 8.1 | 13.2 | 8.8 | | |
| Q1033 | 0 | 6.9 | 0 | | |
| Q1035 | 0 | 3.1 | -0.5 | | |
| Q1037 | 0/0 | 0.5/7.4 | 4.0/0 | | 0.5-1.5, 14.5-18.5 / other 21.5-25.0MHz |
| Q1043 | 5.5/5.0 | 0/5.0 | 5.0/0.6 | | RX/TX |
| Q1044 | 0/0 | 0.6/0 | 0/0.6 | | RX/TX |
| Q1046 | 0/0 | 0.4/0 | 0/4.8 | | RX/TX (MODE FM SPLIT ON) |
| Q1047 | -0.8 | 8.7 | 1.5 | | |
| Q1048 | 0/0 | 0/0 | 0.1/3.7 | | RX/TX |

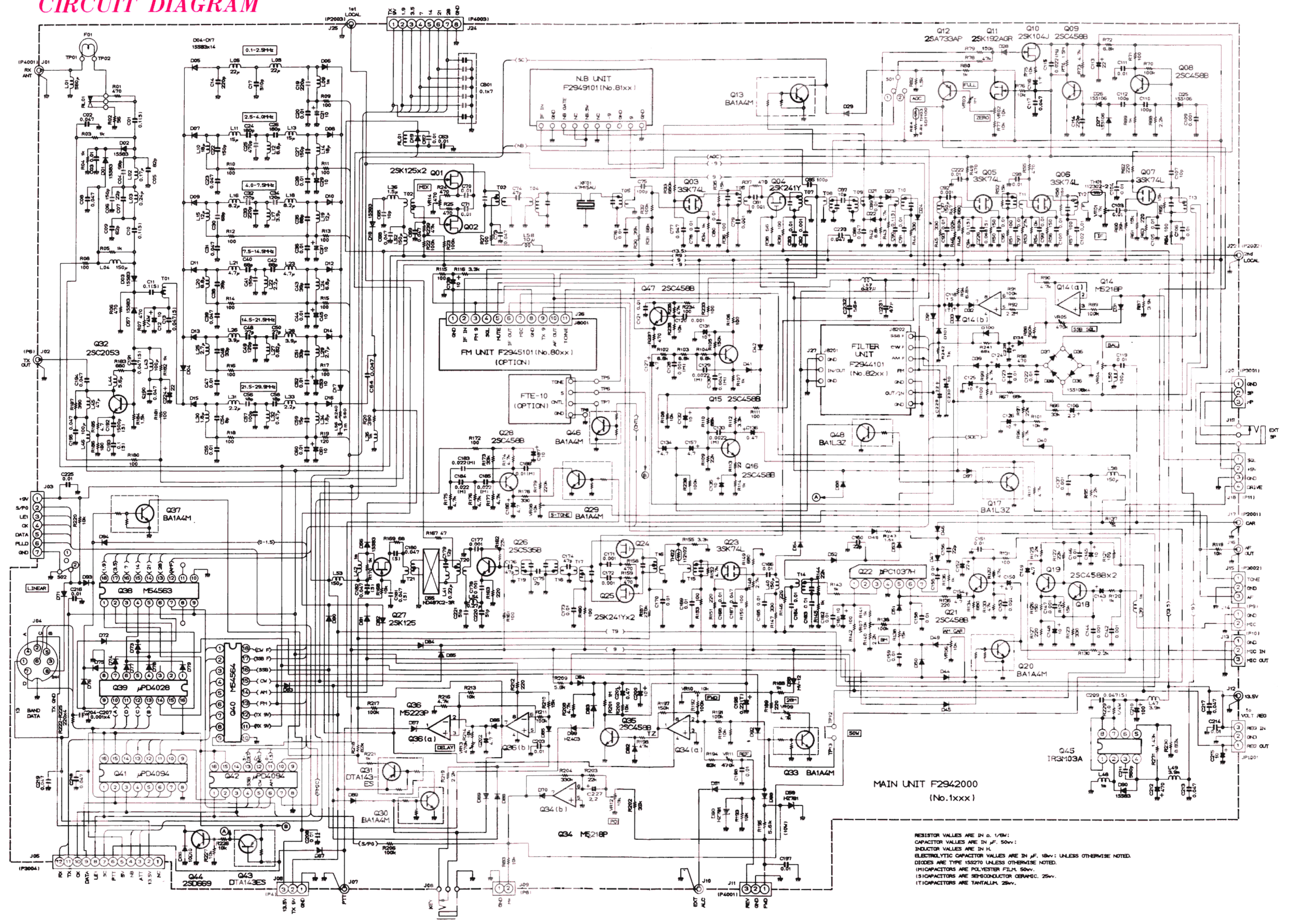
MAIN UNIT IC VOLTAGE CHART

(DC VOLT)

| | 1 | 2 | 3 | 4 | 5 | 6 | 7 | 8 | 9 | 10 | 11 | 12 | 13 | 14 | 15 | 16 | 17 | 18 | REMARKS |
|-------|----------|---------|---------|----------|---------|----------|----------|-----------|---------|-----|----------|-------|-----|-----|------|---------|---------|-----|--------------------------------------|
| Q1014 | 8.4/2.5 | 8.4/2.5 | 8.8/2.5 | -9.0/9.0 | 3.1/2.7 | 7.0/1.8 | -7.6/8.4 | 8.9/8.9 | | | | | | | | | | | SQL VR CCW/CW |
| Q1022 | 7.0 | - | 5.4 | 0 | 3.1 | 3.1 | 3.1 | | | | | | | | | | | | |
| Q1034 | -5.2 | 0 | 0 | -9.0 | 0 | 0 | -7.7 | 8.9 | | | | | | | | | | | |
| Q1036 | 12.0/0.7 | 0/10.2 | 4.2/3.9 | 0/0 | 4.2/3.9 | 12.9/2.1 | 0/10.8 | 13.1/12.3 | | | | | | | | | | | KEY UP/DWN (MODE CW) VRI 1.3 MIN. |
| Q1038 | 0 | 0 | 0 | 4.1 | 0.2 | 0.2 | 0 | 0.1 | 13.4 | 0 | 0.2 | 13.0 | 0 | 0 | 12.0 | 0 | 0 | 0 | MODE AM, 14MHz |
| Q1039 | 0 | 0 | 0 | 0 | 0 | 4.7 | 0 | 0 | 0 | 5.0 | 0 | 5.0 | 0 | 0 | 0 | 5.0 | | | MODE AM, 14MHz |
| Q1040 | 0/0 | 4.8/4.8 | 0/0 | 0/0 | 0/0 | 0/0 | 0/4.4 | 4.5/0 | 8.9/8.9 | 0/0 | 7.6/-1.3 | 0/7.5 | 0/0 | 0/0 | 0/0 | 7.7/7.7 | 7.9/7.9 | 0/0 | MODE USB, RX/TX |
| Q1041 | 0 | 4.6 | 0 | 5.0 | 0 | 5.0 | 0 | 0 | 0 | 0 | 0 | 0 | 0 | 4.8 | 5.0 | 5.0 | | | 14MHz |
| Q1042 | 0 | 0 | 0 | 4.8 | 0 | 0 | 0 | 0 | 0 | 0 | 0 | 0 | 4.9 | 5.0 | 5.0 | 5.0 | | | MODE USB, 14MHz |
| Q1045 | 13.5 | 0.1 | -8.2 | -9.0 | -7.8 | 13.5 | 13.5 | 13.5 | | | | | | | | | | | |

MAIN UNIT

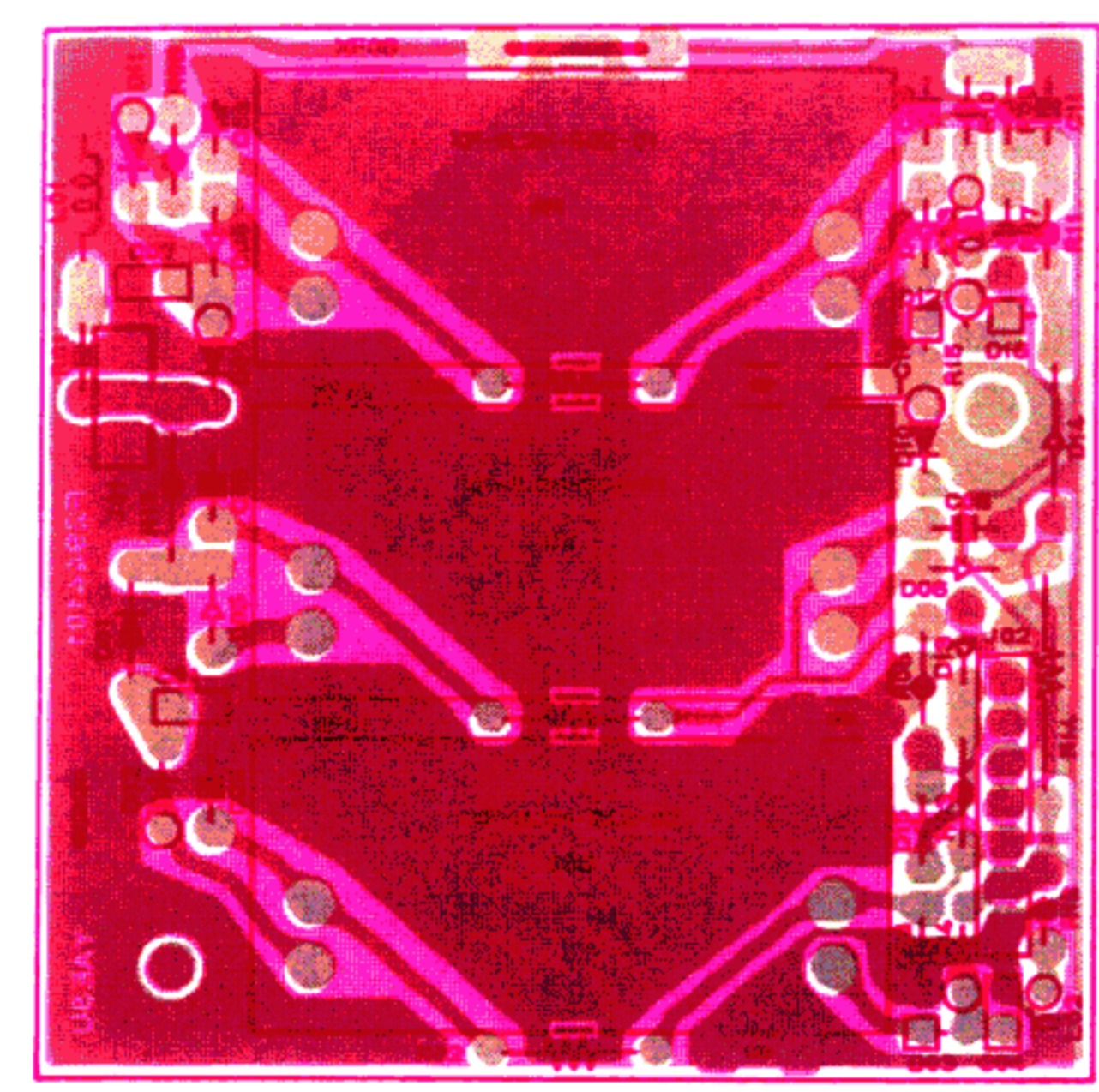
CIRCUIT DIAGRAM



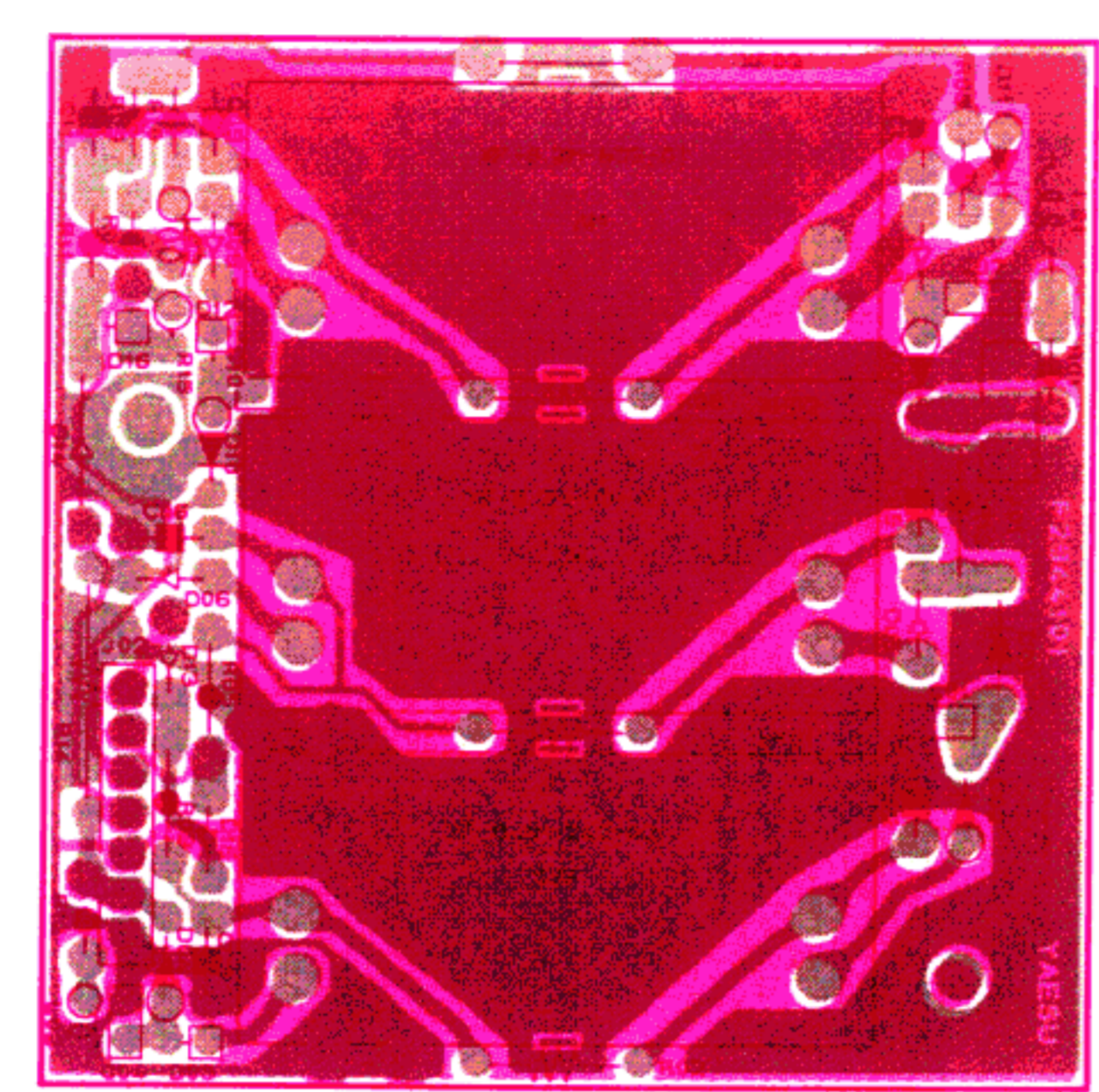
MAIN UNIT F2942000
(No. 1xxx)

RESISTOR VALUES ARE IN Ω , $\frac{1}{10}\Omega$,
CAPACITOR VALUES ARE IN μF , 50V;
INDUCTOR VALUES ARE IN μH , 50V;
ELECTROLYTIC CAPACITOR VALUES ARE IN μF , 16V, UNLESS OTHERWISE NOTED.
DIODES ARE TYPE 1S5270 UNLESS OTHERWISE NOTED.
(M) CAPACITORS ARE POLYESTER FILM, 50V.
(S) CAPACITORS ARE SEMICONDUCTOR CERAMIC, 25V.
(T) CAPACITORS ARE TANTALUM, 25V.

FILTER UNIT PARTS LAYOUT

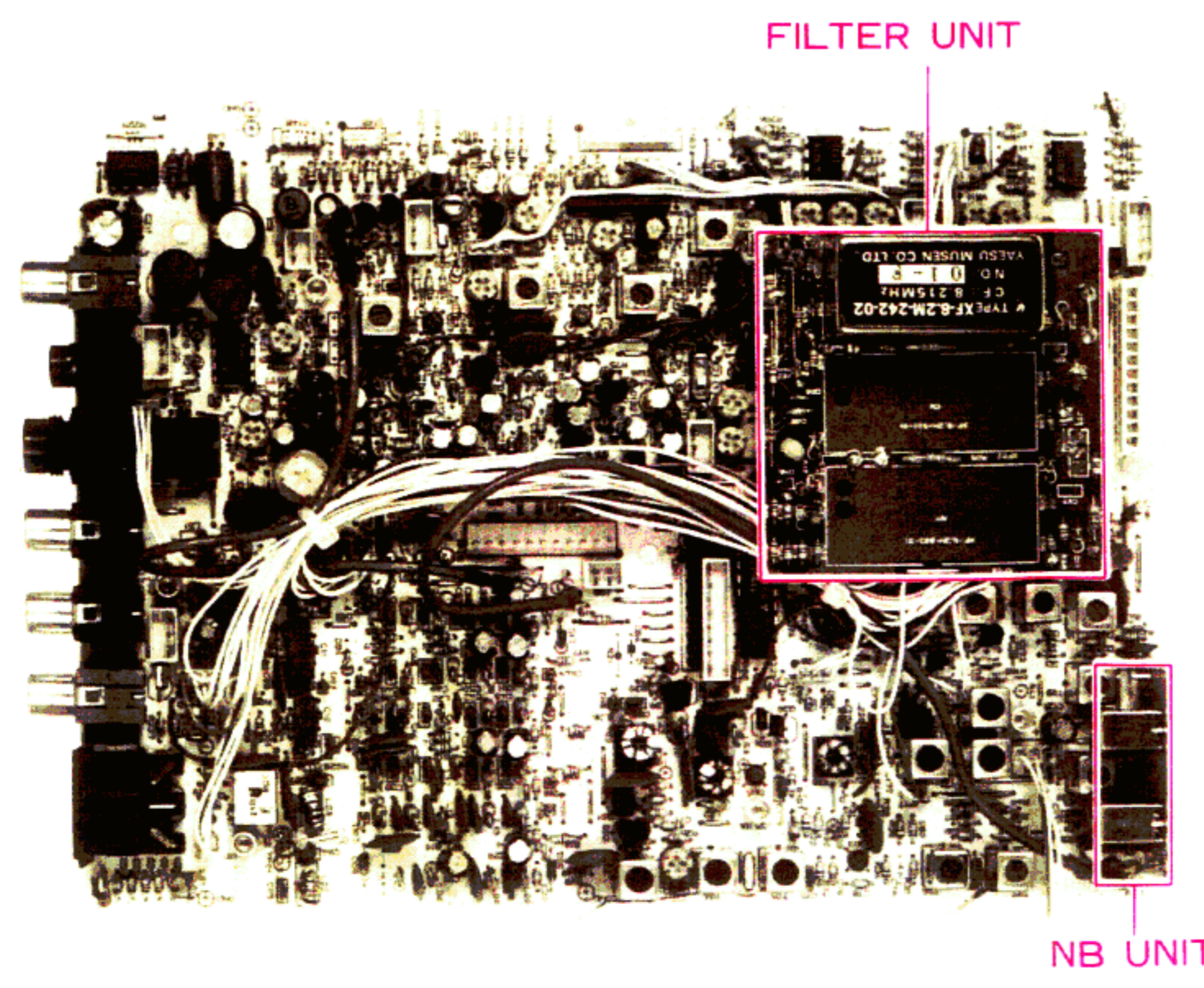
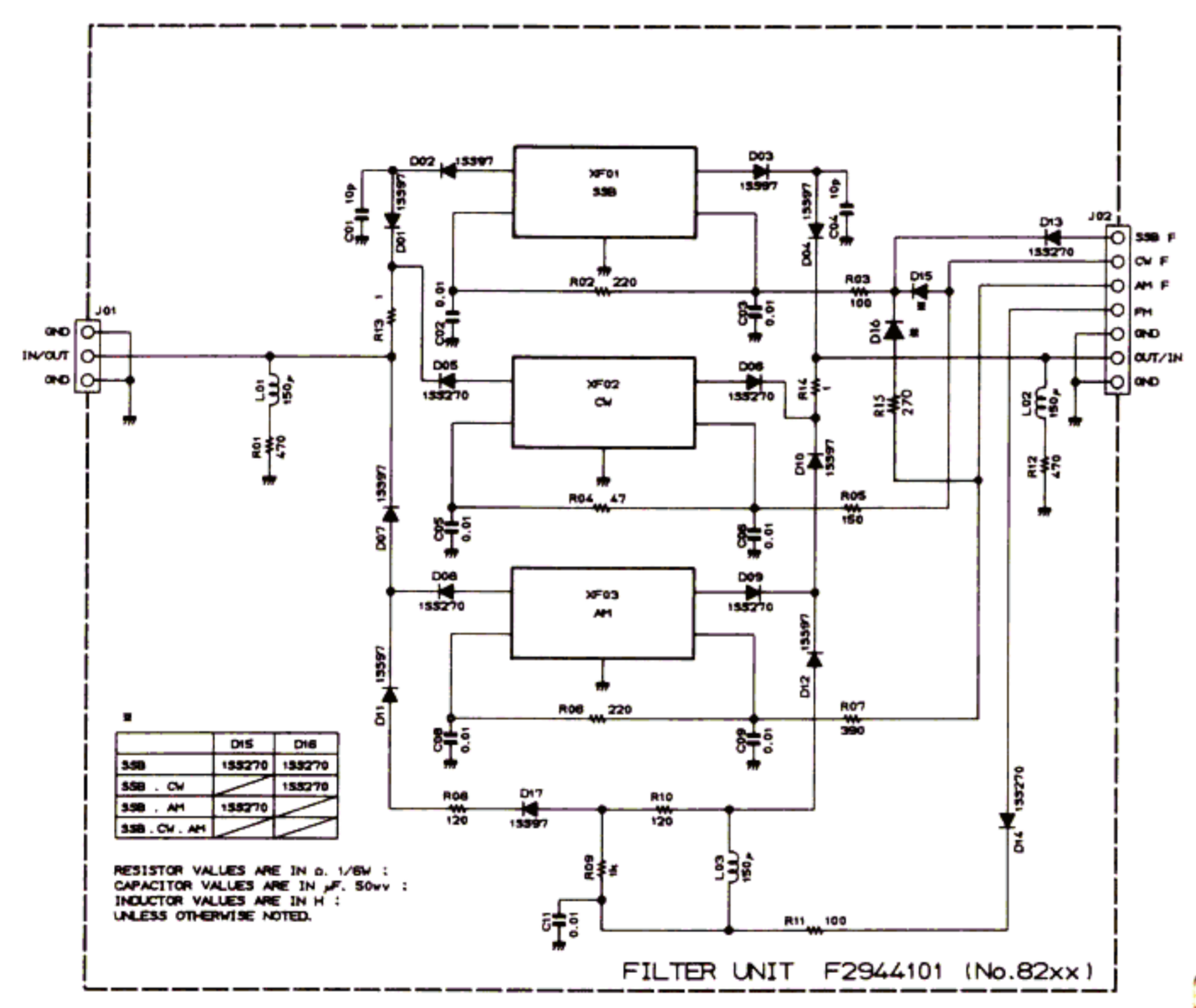


Component side (obverse)

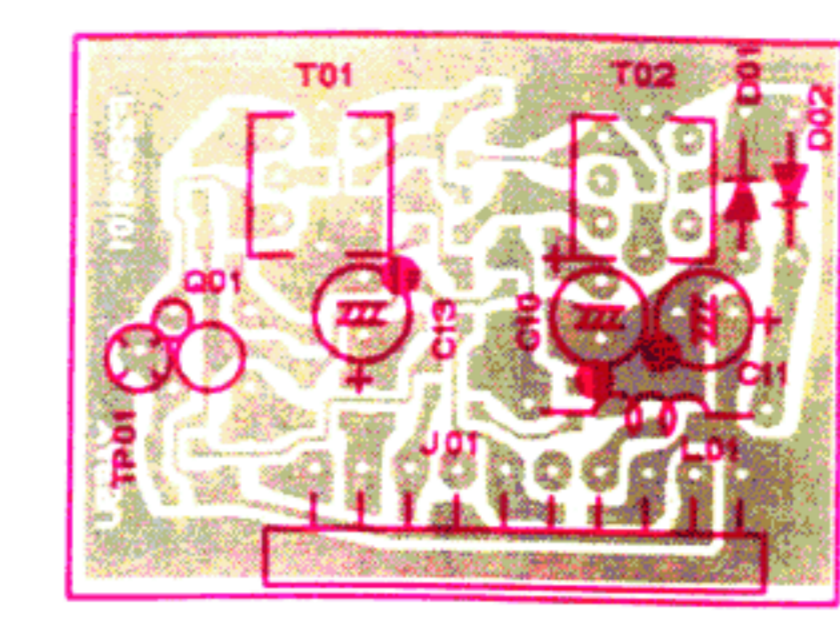


Component side (reverse)

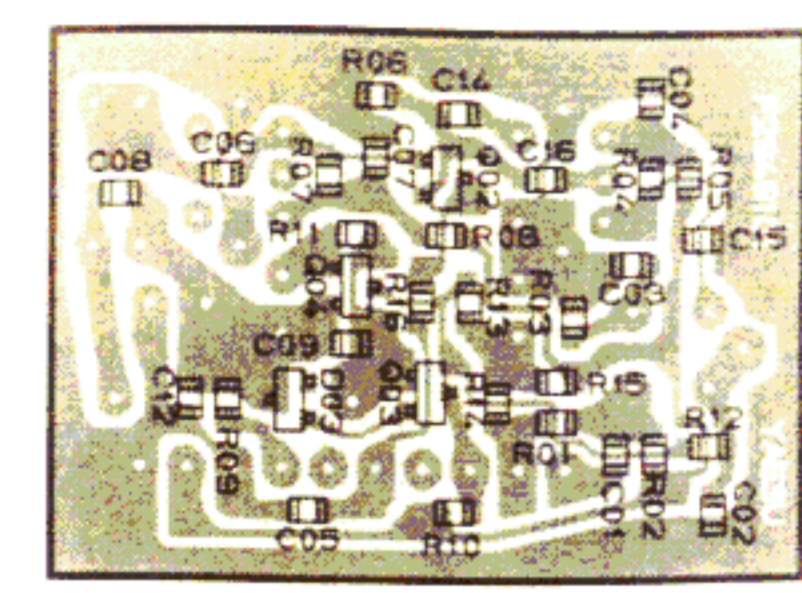
FILTER UNIT CIRCUIT DIAGRAM



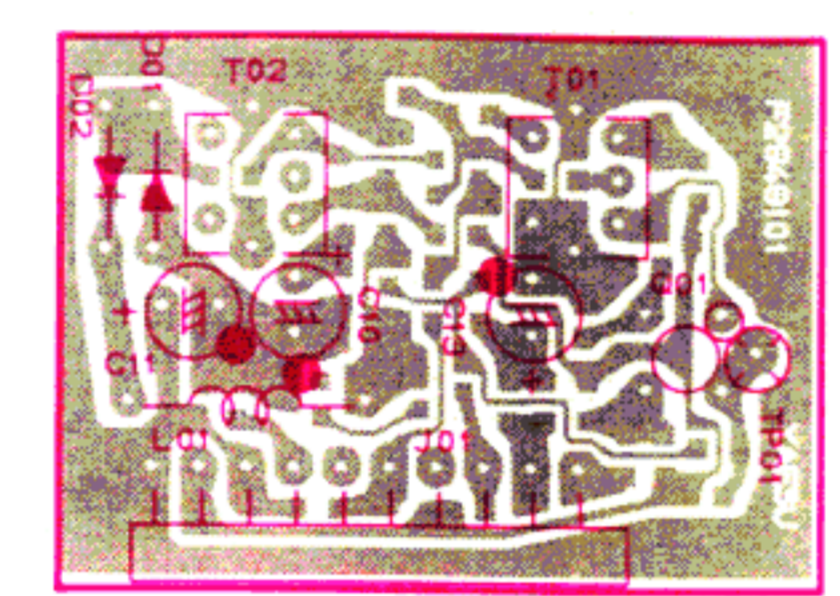
NB UNIT PARTS LAYOUT



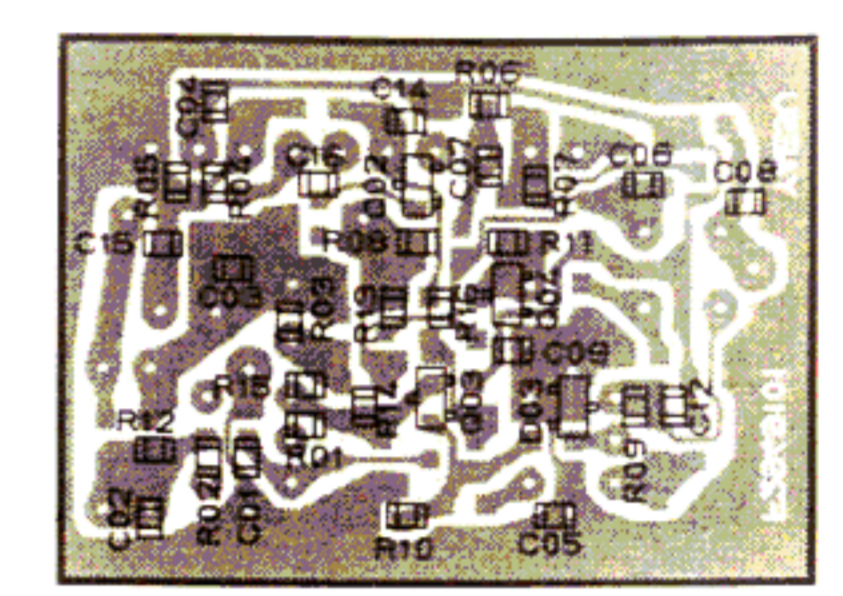
Component side (obverse)



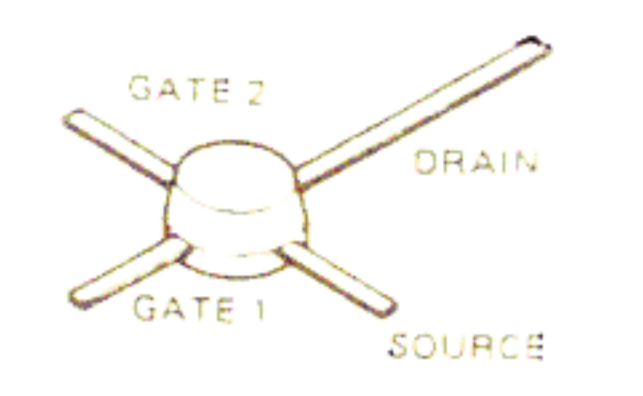
Solder side (obverse)



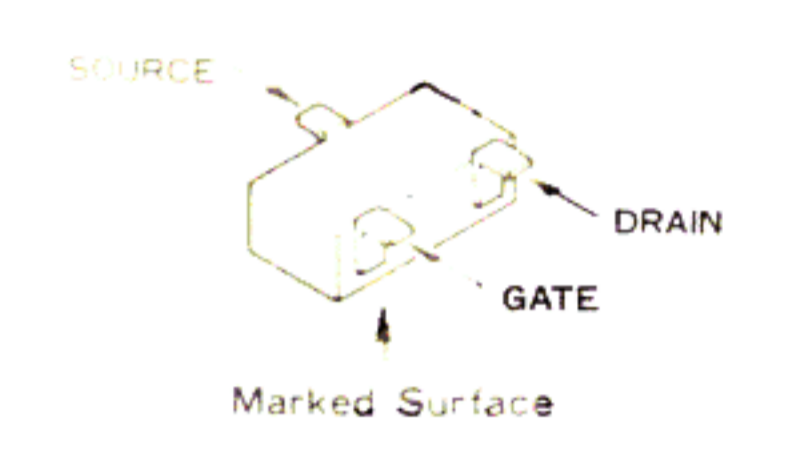
Component side (reverse)



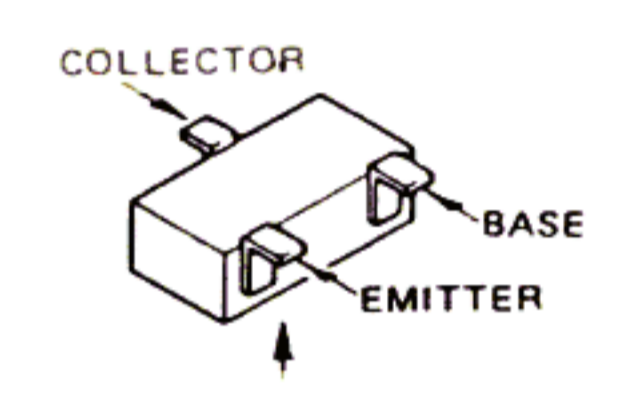
Solder side (reverse)



3SK74L (Q8101)

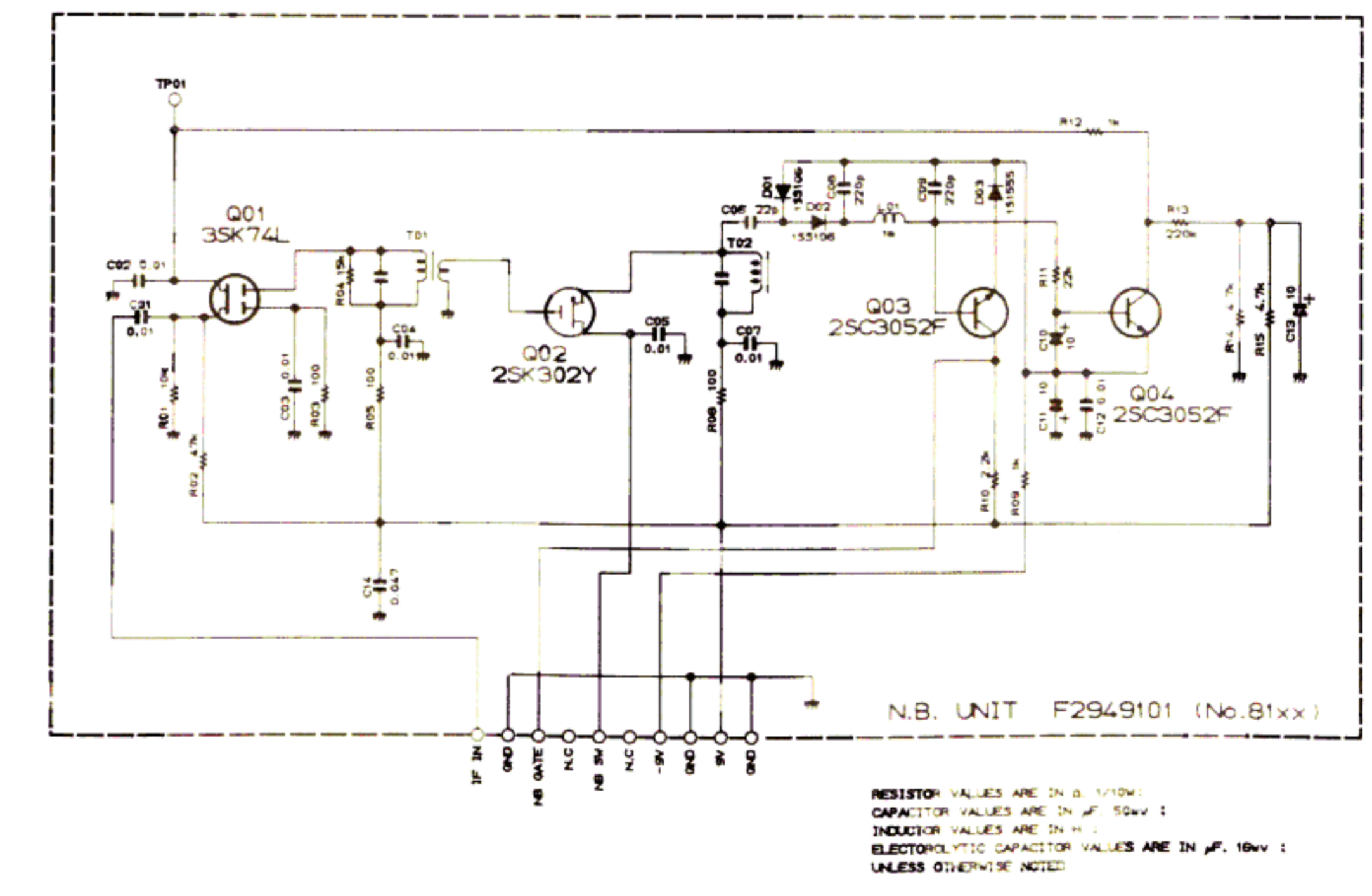


2SK302Y (Q8102)



2SC3052F (Q8103,8104)

NB UNIT CIRCUIT DIAGRAM

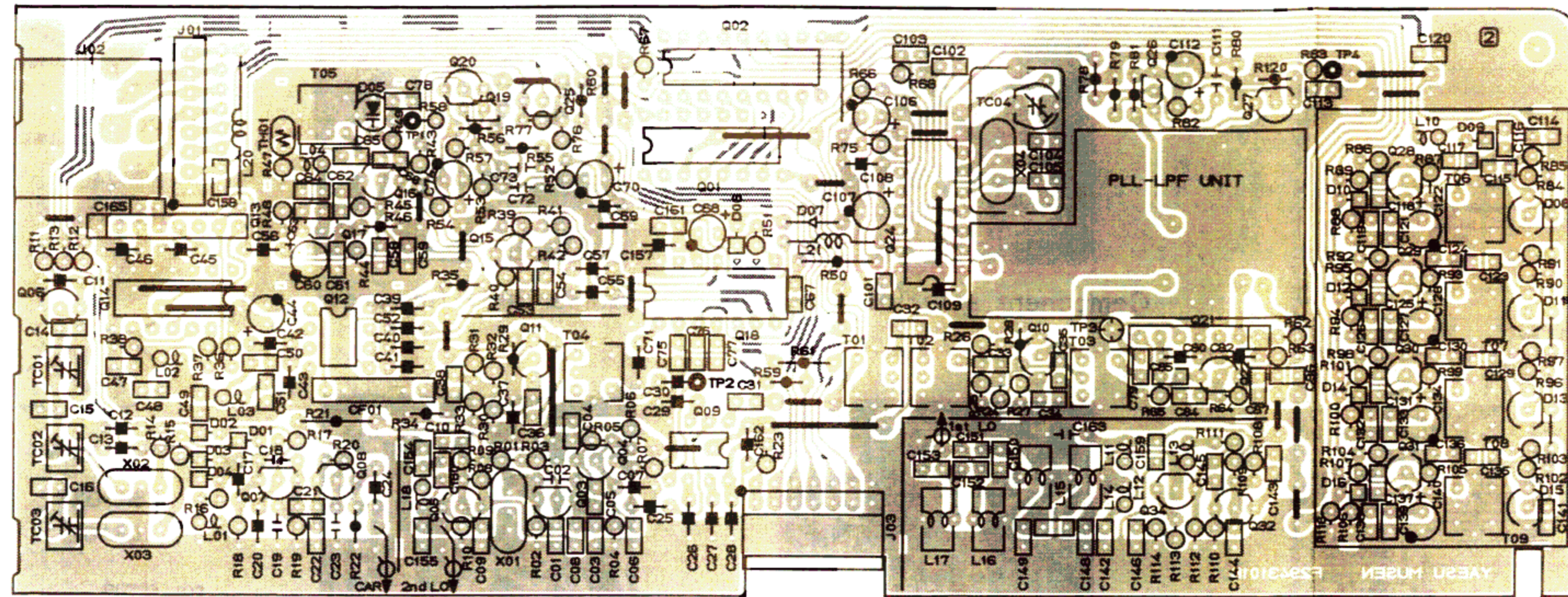


NB UNIT VOLTAGE CHART

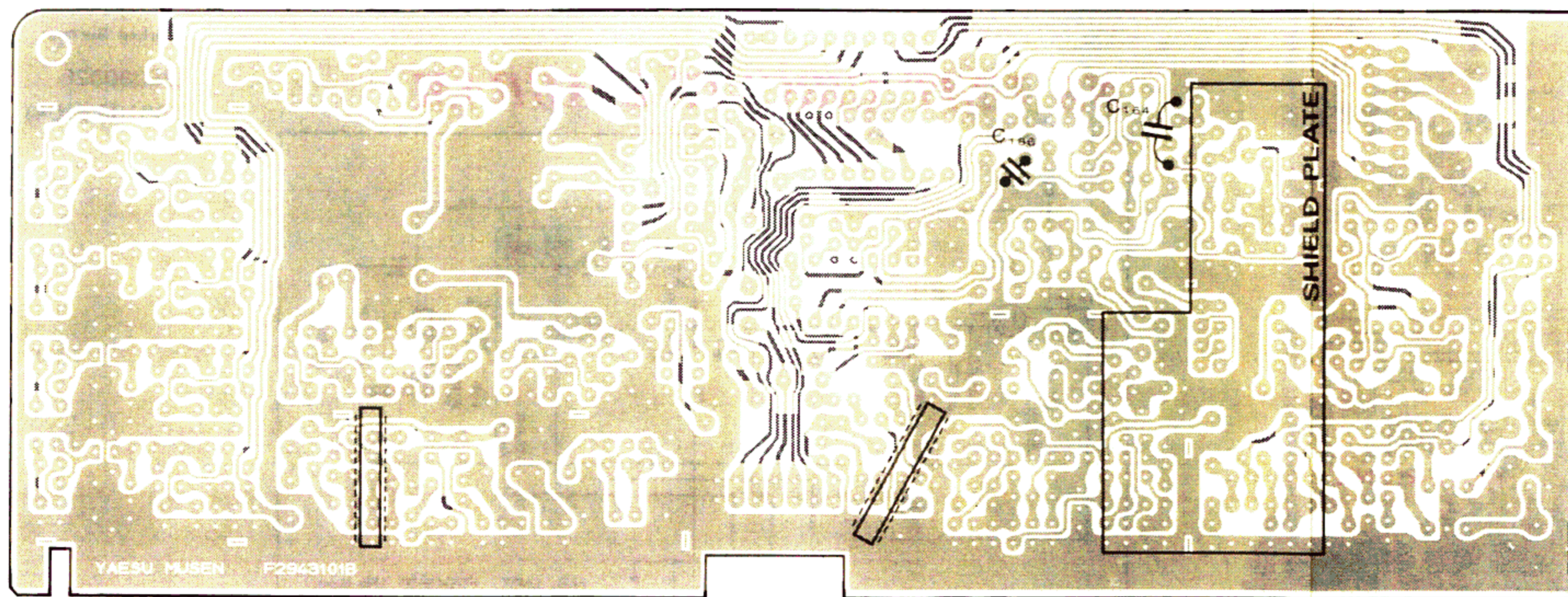
(DC VOLT)

| | E (S) | C (D) | B (G ₁) | (G ₂) | REMARKS |
|-------|-------|---------|---------------------|-------------------|-----------|
| Q8101 | 7.4 | 1.5 | 1.5 | 4.3 | |
| Q8102 | 1.7/0 | 8.9/8.2 | 0/0 | | NB OFF/ON |
| Q8103 | -8.8 | 6.4 | -8.9 | | |
| Q8104 | -9.1 | 4.3 | -9.0 | | |

PARTS LAYOUT



Component side (obverse)



Solder side (obverse)

LOCAL UNIT IC VOLTAGE CHART

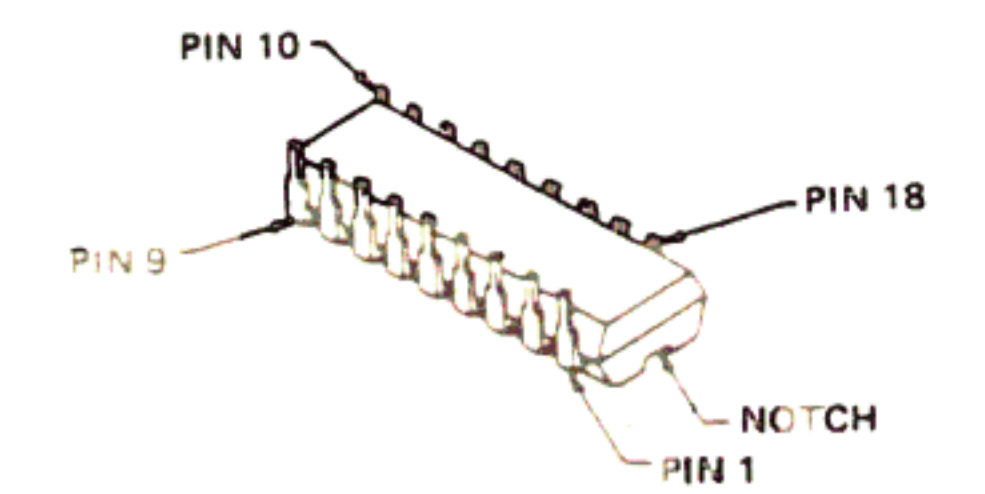
(DC VOLT)

| | 1 | 2 | 3 | 4 | 5 | 6 | 7 | 8 | 9 | 10 | 11 | 12 | 13 | 14 | 15 | 16 | 17 | 18 | REMARKS |
|-------|------|-----|-----|-----|-----|-----|-----|-----|-----|----|-----|-----|-----|-----|-----|-----|------|----|-----------------|
| Q2001 | - | - | - | 0 | 4.8 | 0 | 0 | 0 | 0 | 0 | 0 | 4.8 | 0 | 0 | 5.0 | 5.0 | | | 14MHz |
| Q2002 | 0 | 0 | 4.8 | 0 | 0 | 4.8 | 0 | 0 | 8.8 | 0 | 0 | 0 | 7.6 | 0 | 0 | 7.6 | -0.4 | 0 | 14MHz, MODE USB |
| Q2009 | 6.4 | 3.8 | 2.7 | 0 | 2.7 | 3.8 | 3.8 | 7.8 | | | | | | | | | | | 14MHz, MODE USB |
| Q2012 | 6.4 | 3.8 | 2.7 | 0 | 2.7 | 3.8 | 3.8 | 7.7 | | | | | | | | | | | 14MHz, MODE USB |
| Q2013 | 0 | 0 | 4.9 | 2.6 | 2.6 | 0 | 4.9 | 2.5 | | | | | | | | | | | 14MHz, MODE USB |
| Q2014 | 0 | 4.9 | 0 | 0 | 0 | 0 | 0 | 0 | 2.5 | 0 | 2.5 | 2.5 | 2.3 | 4.9 | | | | | 14MHz, MODE USB |
| Q2018 | -2.4 | - | - | - | 2.1 | 2.2 | 0.5 | 0 | - | - | 2.4 | 5.0 | 4.2 | 0 | | | | | 14MHz, MODE USB |
| Q2021 | 5.9 | 5.2 | 4.8 | 0 | 2.6 | 2.6 | 2.6 | | | | | | | | | | | | 14MHz, MODE USB |
| Q2024 | -2.4 | - | - | - | 2.2 | 1.9 | 0.5 | 0 | - | - | 0.5 | 4.8 | 2.0 | 0 | | | | | 14MHz, MODE USB |

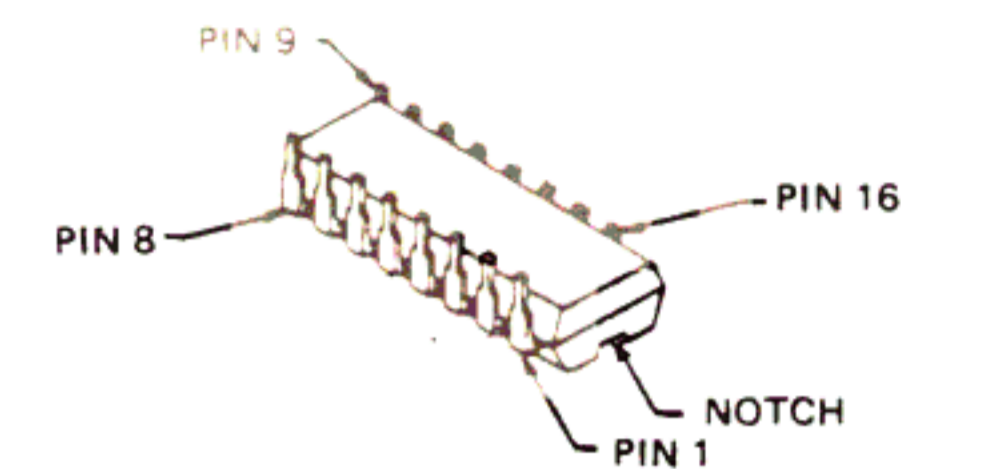
LOCAL UNIT VOLTAGE CHART

(DC VOLT)

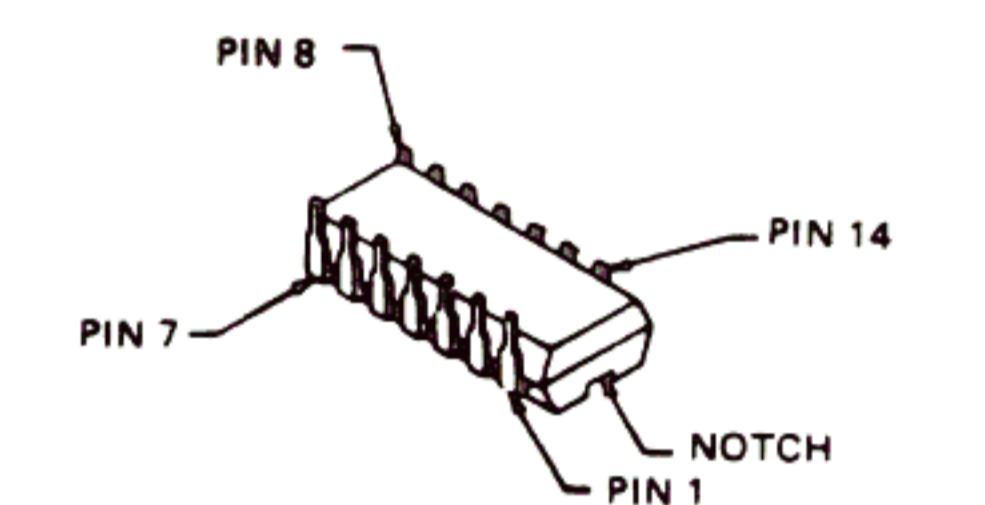
| | E (S) | O (D) | B (G) | REMARKS |
|-------|-------|-------|-------|-----------------|
| Q2003 | 3.1 | 8.1 | 3.9 | |
| Q2004 | 3.5 | 8.1 | 4.2 | |
| Q2005 | 1.4 | 8.1 | 2.2 | |
| Q2006 | 0/0 | 0.7/0 | 0/0.7 | RX/TX, MODE CW |
| Q2007 | 2.0 | 6.6 | 2.0 | MODE USB |
| Q2008 | 1.7 | 8.0 | 2.4 | MODE USB |
| Q2010 | 1.8 | 8.4 | 2.5 | |
| Q2011 | 1.9 | 8.4 | 2.6 | |
| Q2015 | 3.6 | 8.0 | 4.2 | |
| Q2016 | 2.3 | 8.3 | 2.9 | |
| Q2017 | 1.0 | 8.4 | 0 | |
| Q2019 | 8.6 | 0.5 | 0.6 | |
| Q2020 | 0 | 5.6 | 0.7 | |
| Q2022 | 2.5 | 8.3 | 3.2 | |
| Q2025 | 0/0 | 5.0/0 | 0/0.6 | PLL LOCK/UNLOCK |
| Q2026 | 0.8 | 8.6 | 0.5 | 14MHz |
| Q2027 | 0.1 | 5.3 | 0.8 | 14MHz |
| Q2028 | 2.6 | 7.1 | 3.3 | 3.5MHz |
| Q2029 | 2.6 | 7.1 | 3.3 | 28MHz |
| Q2030 | 2.6 | 7.1 | 3.3 | 18MHz |
| Q2031 | 3.1 | 7.0 | 3.9 | 28MHz |
| Q2032 | 2.5 | 8.3 | 3.3 | |
| Q2034 | 2.8 | 8.7 | 3.5 | |



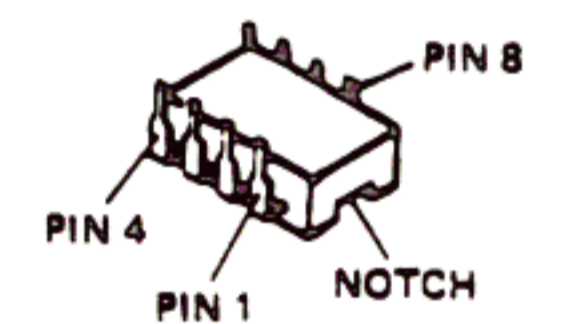
M54564P (Q2002)



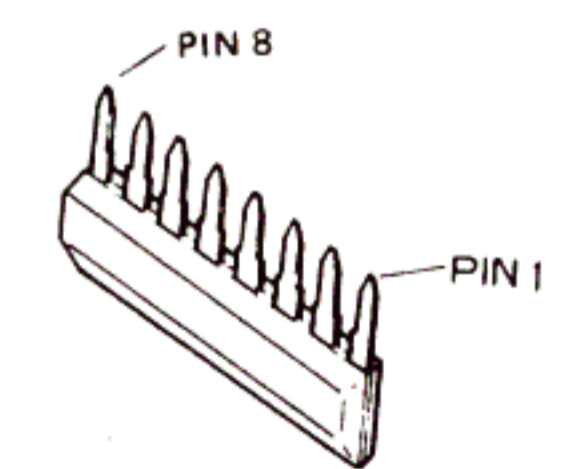
μPD4094BC (Q2001)



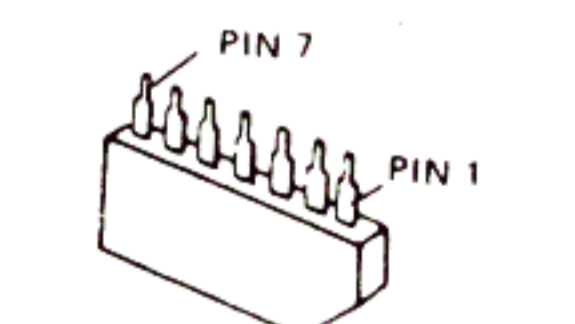
CX-7925B (Q2018,2024)
μPD4013BC (Q2014)



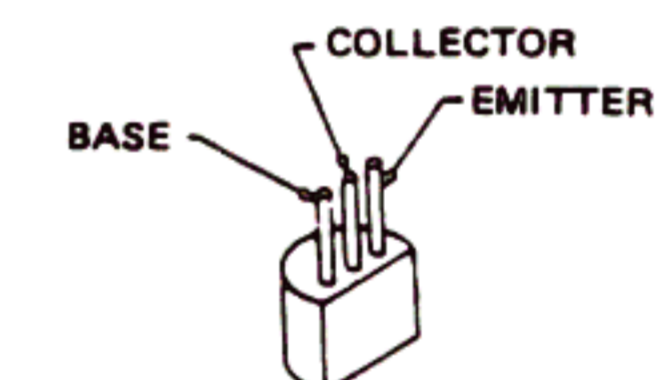
SN16913P (Q2009,2012)



M54459L (Q2013)



μPC1037H (Q2021)

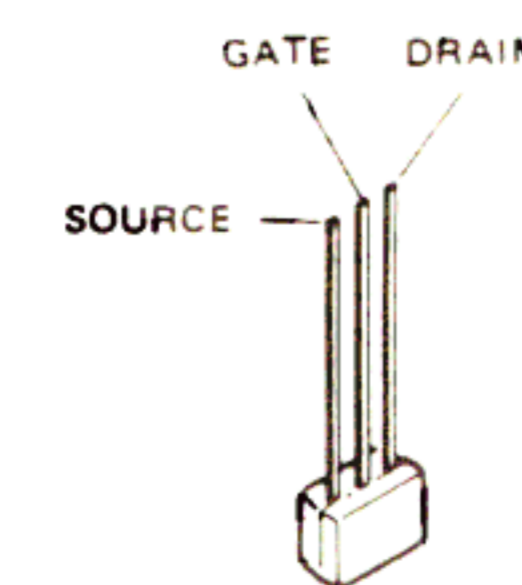


2SC458C (Q2004~2008,
2010,2011,
2015,2025)

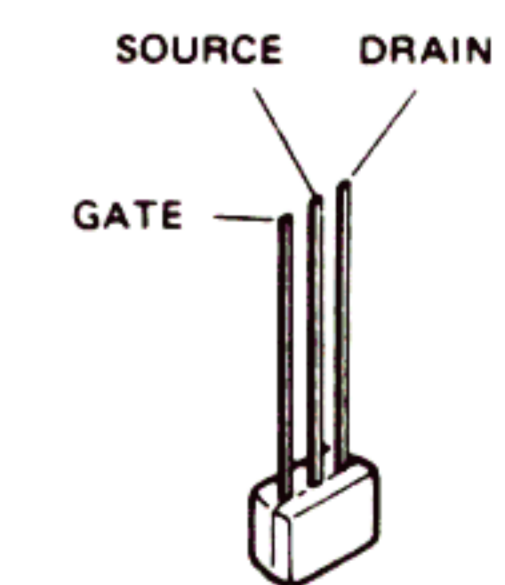
2S0535B (Q2003,2016,
2022,2028-
2032)

2SC732TMBL (Q2020,2027)

2SC2053 (Q2034)

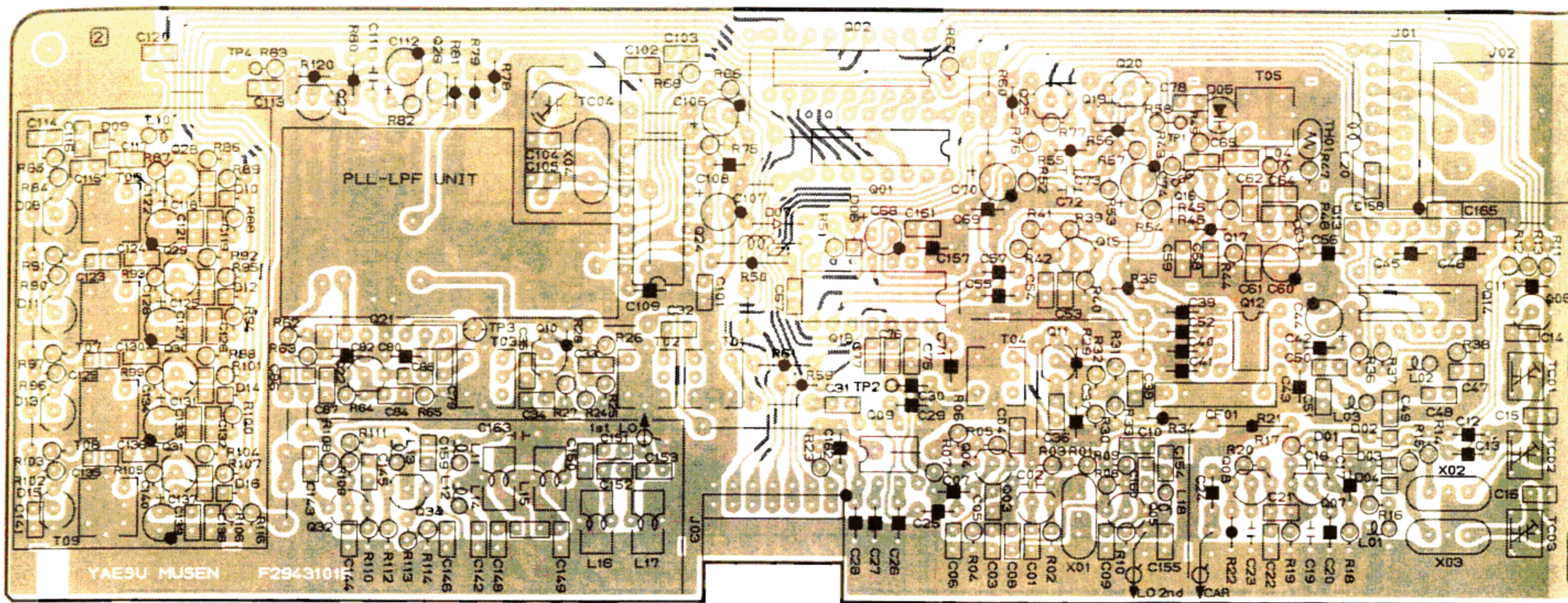


2SK184Y (Q2019,2026)

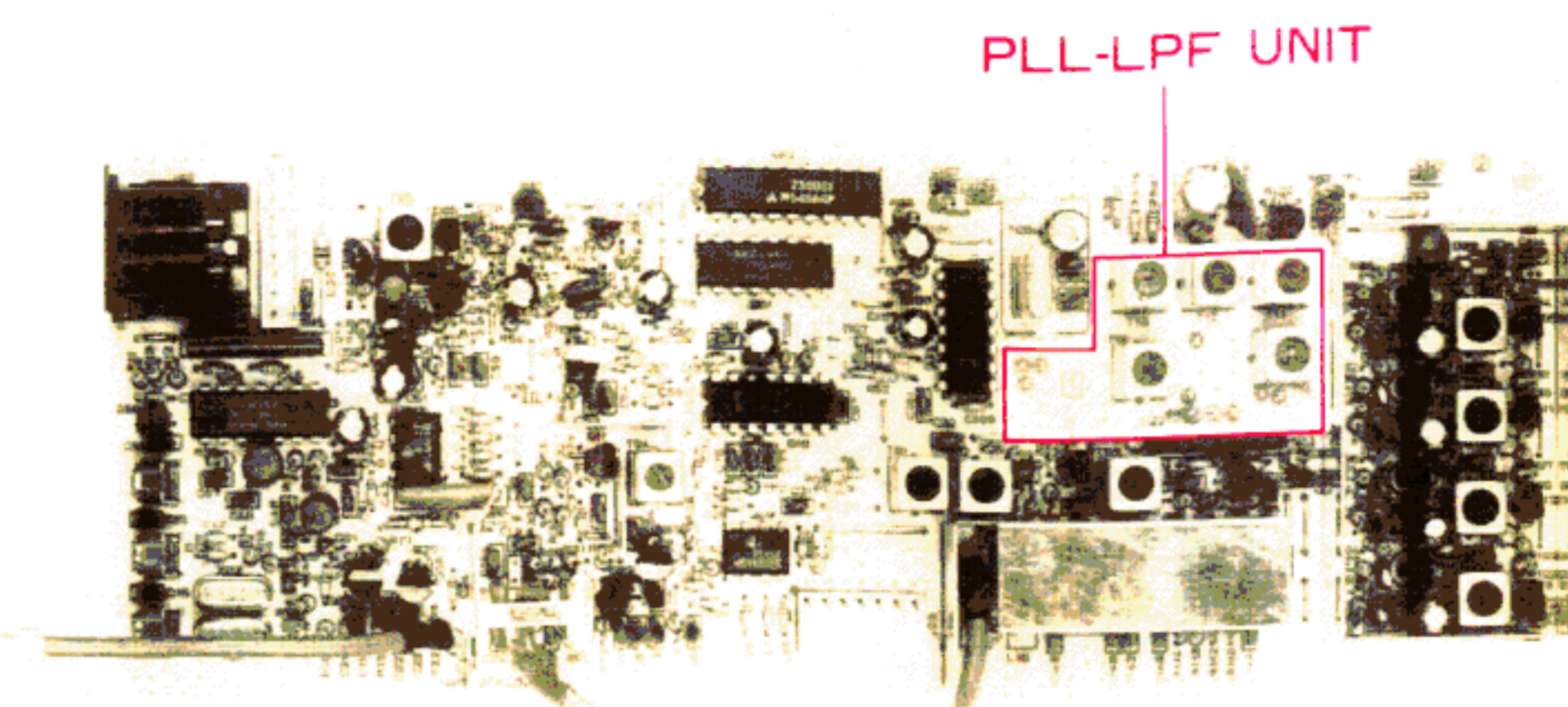


2SK192AGR (Q2017)

PIN 18
 NOTCH
 PIN 1
 (002)
 PIN 16
 NOTCH
 PIN 1
 (001)
 PIN 14
 NOTCH
 PIN 1
 (2024)
 14)
 PIN 8
 CH
 (2012)
 -PIN 1
 (13)
 IN 1
 (021)



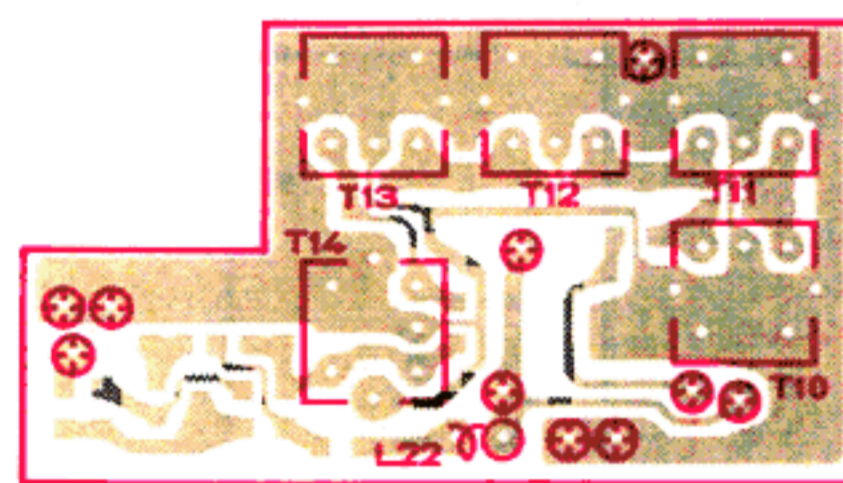
Component side (reverse)



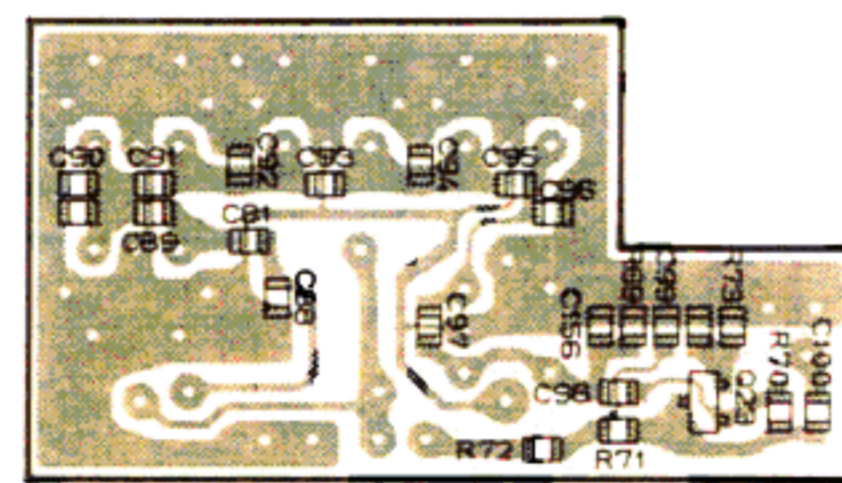
PLL-LPF UNIT

CIRCUIT DIAGRAM

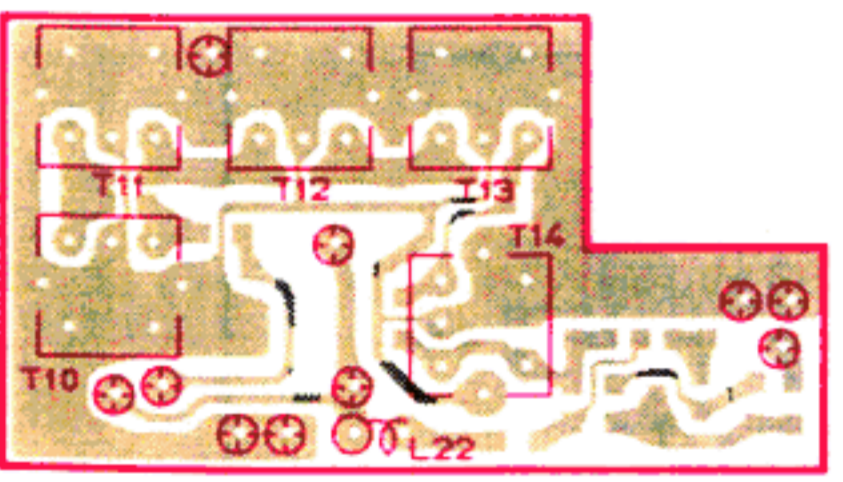
PLL-LPF UNIT PARTS LAYOUT



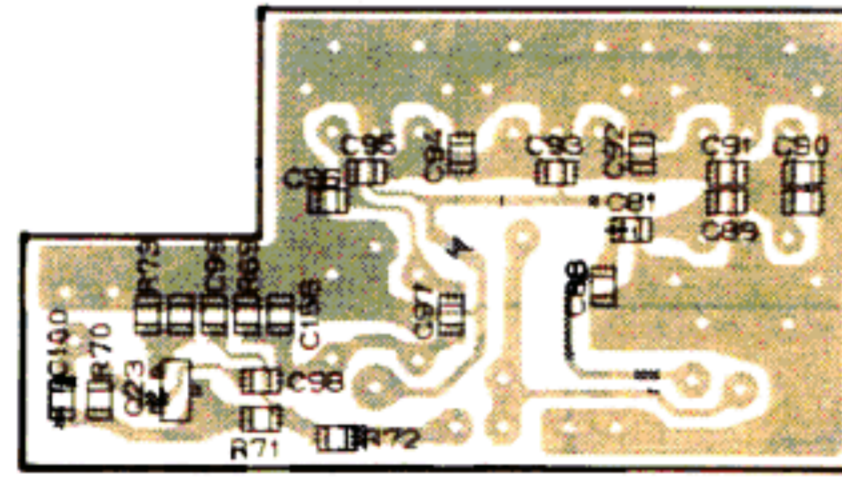
Component side (obverse)



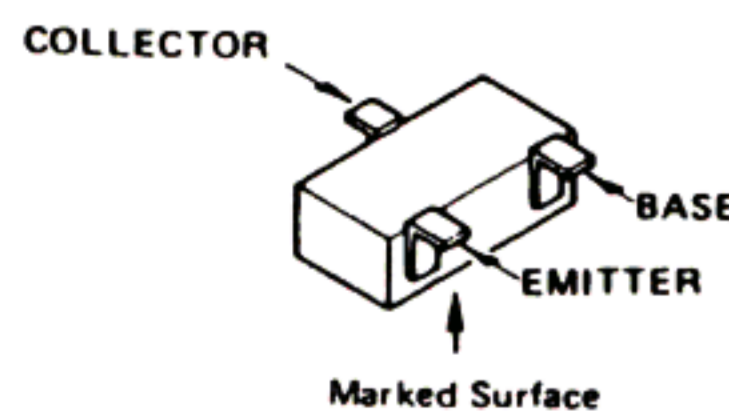
Solder side (obverse)



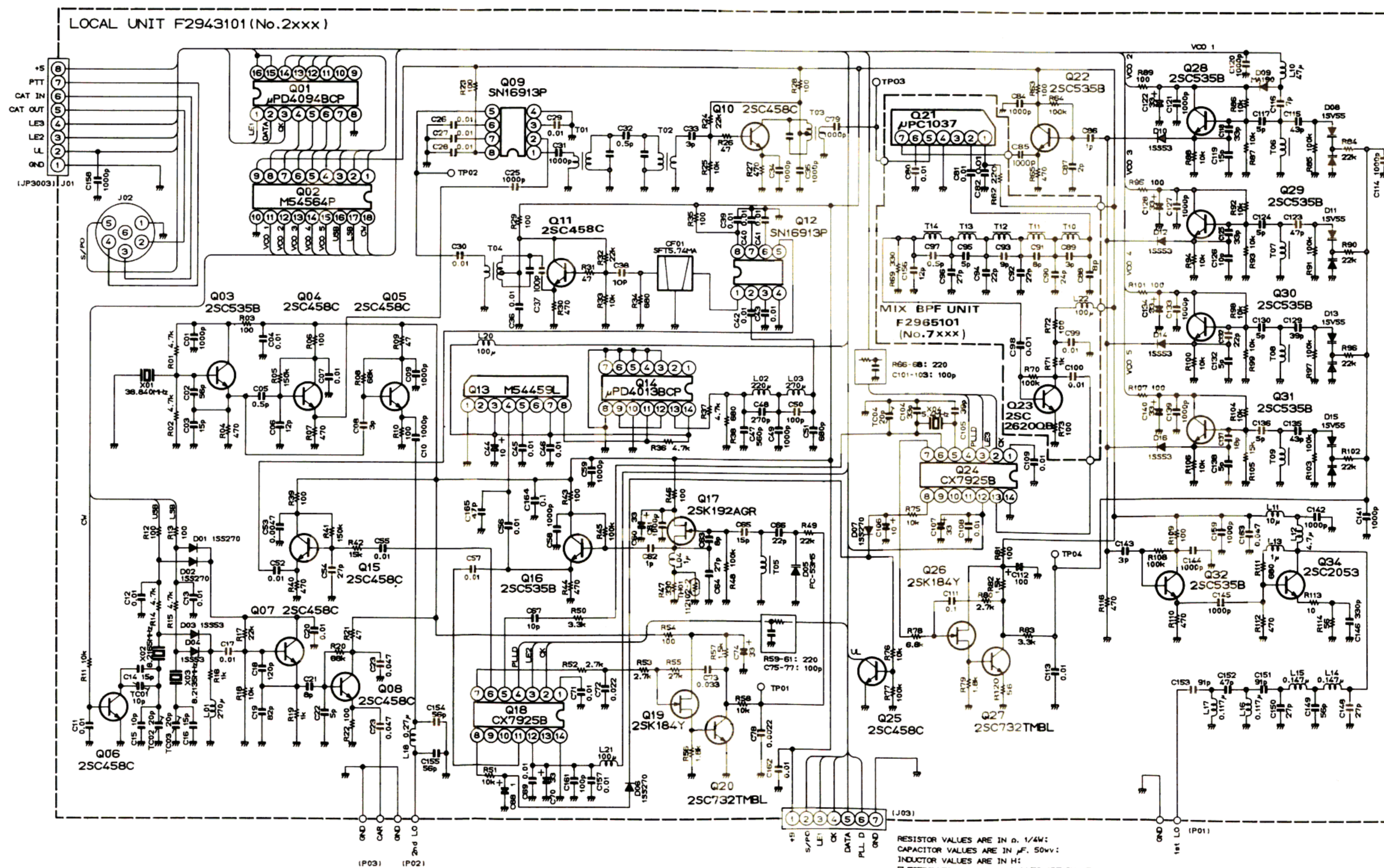
Component side (reverse)



Solder side (reverse)



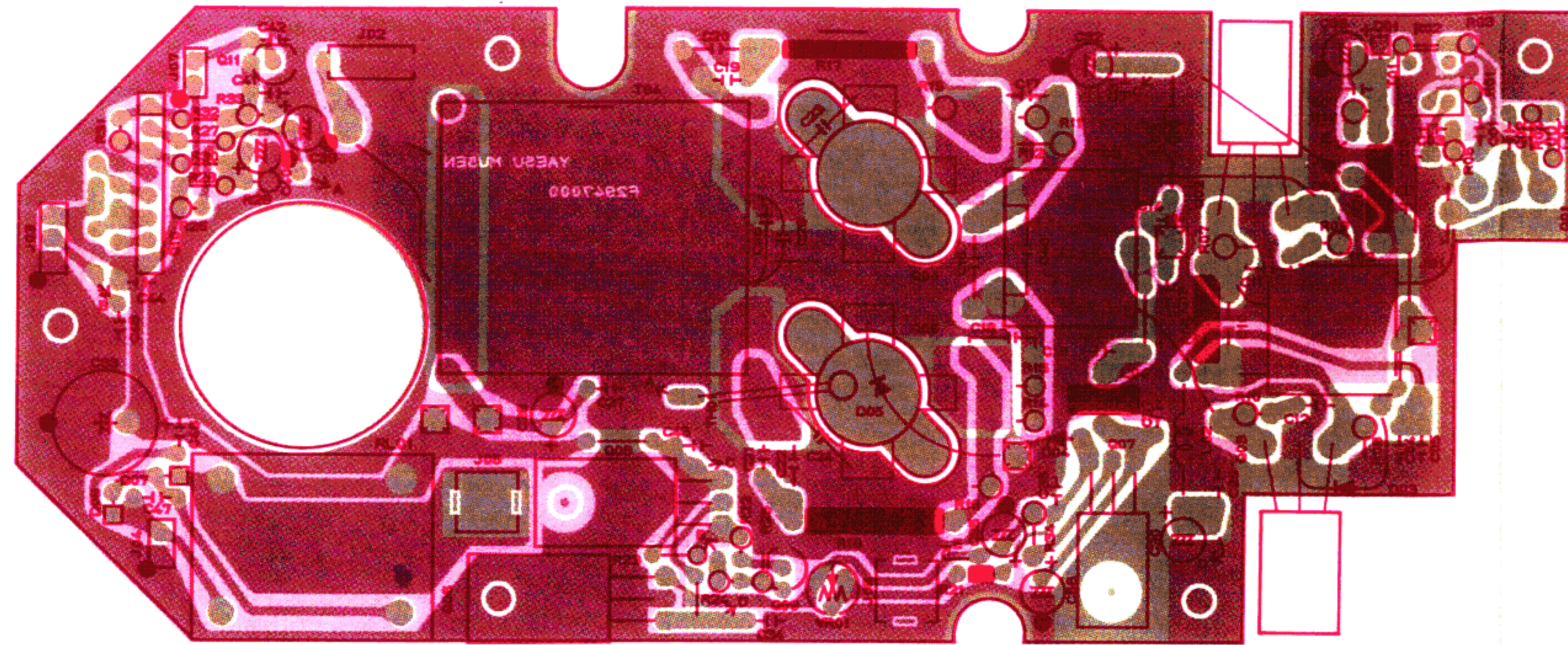
2SC2620QB (Q7023)



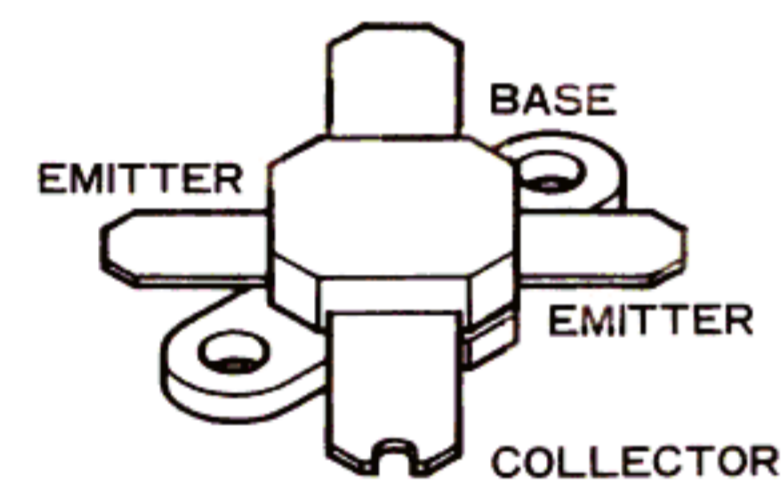
RESISTOR VALUES ARE IN Ω, 1/4W;
 CAPACITOR VALUES ARE IN μF, 50V;
 INDUCTOR VALUES ARE IN H;
 ELECTROLYTIC CAPACITOR VALUES ARE IN μF, 10V,
 UNLESS OTHERWISE NOTED.

100W PA UNIT

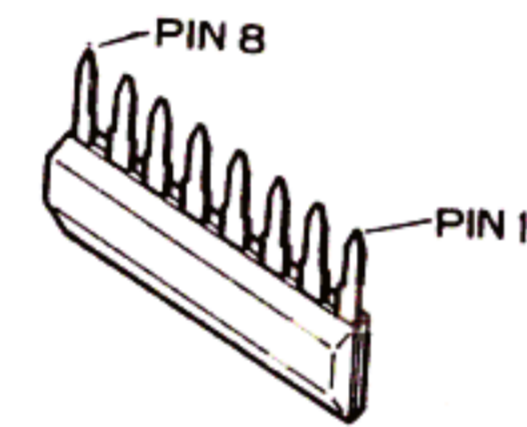
PARTS LAYOUT



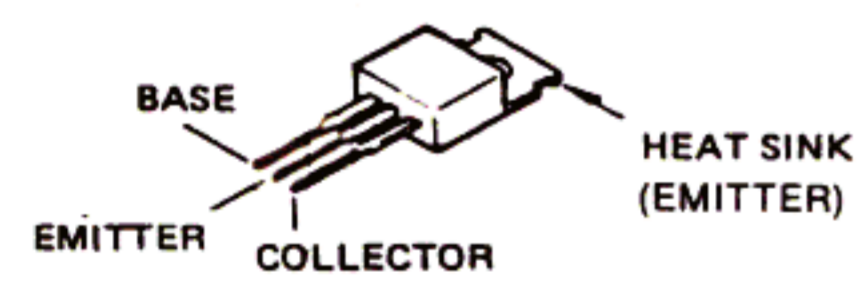
Component side (obverse)



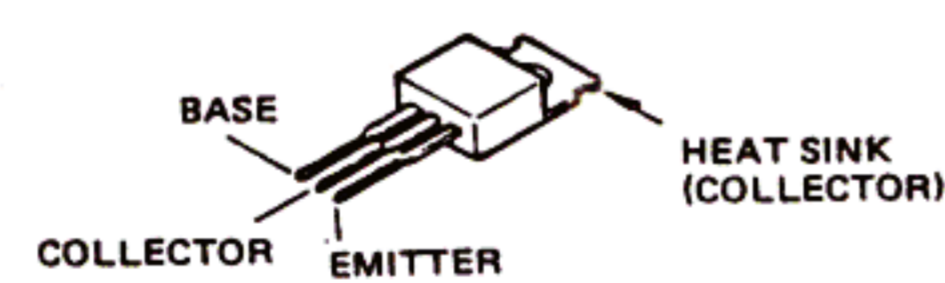
2SC3240 (Q5004,5005)



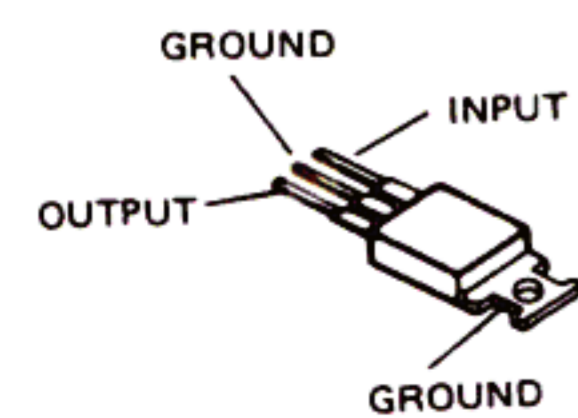
M5218L (Q5010)



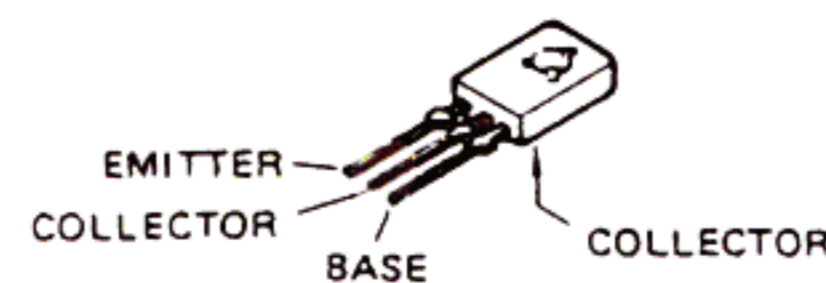
2SB824R (Q5008)
2SC2166 (Q5001)



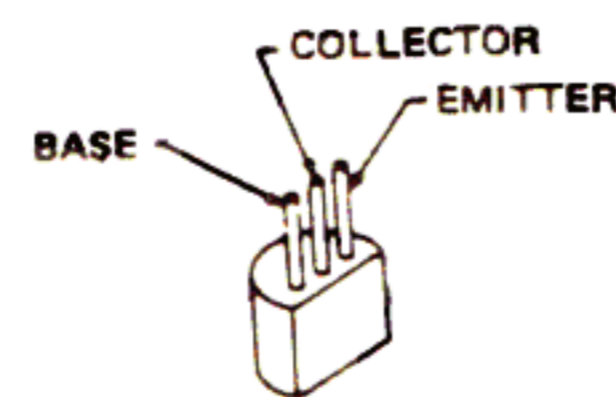
2SC3133 (Q5002,5003)



μPC7808H (Q5006)



2SD882Q (Q5007)



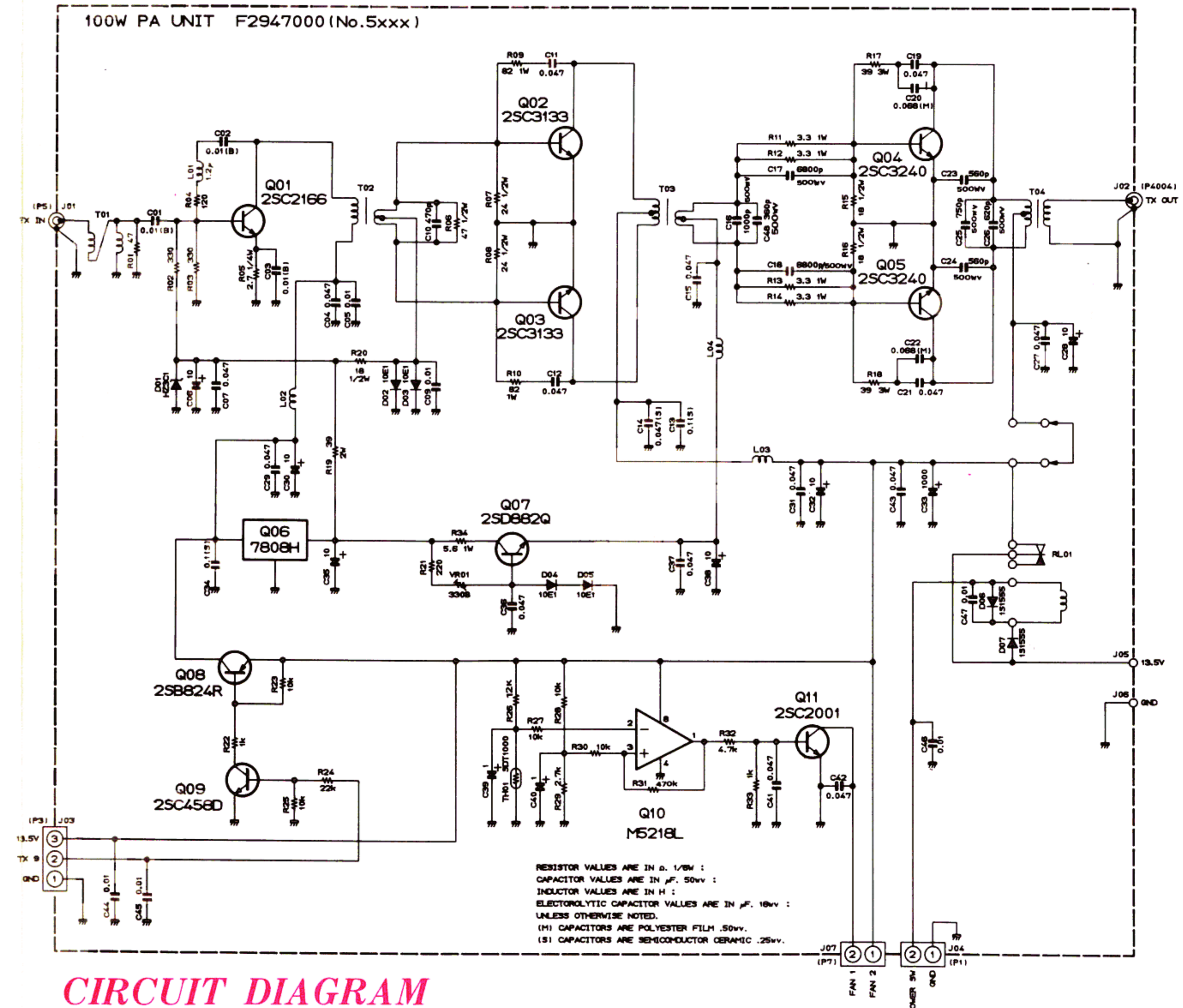
2SC458D (Q5009)
2SC2001 (Q5011)

PA UNIT VOLTAGE CHART (DC VOLT)

| | E | C | B | REMARKS |
|-------|-----------|-----------|-----------|---------|
| Q5001 | 0/0.4 | 0/13.4 | 0/1.2 | RX/TX |
| Q5002 | 0/0 | 13.5/13.5 | 0/0.7 | RX/TX |
| Q5003 | 0/0 | 13.5/13.5 | 0/0.7 | RX/TX |
| Q5004 | 0/0 | 13.5/13.5 | 0/0.6 | RX/TX |
| Q5005 | 0/0 | 13.5/13.5 | 0/0.6 | RX/TX |
| Q5007 | 0.4/1.4 | 0/7.6 | 0/0.7 | RX/TX |
| Q5008 | 13.5/13.5 | 0.5/13.4 | 13.5/12.7 | RX/TX |
| Q5009 | 0/0 | 13.5/0.1 | 0/0.7 | RX/TX |
| Q5010 | 0 | 13.5 | 0.2 | |

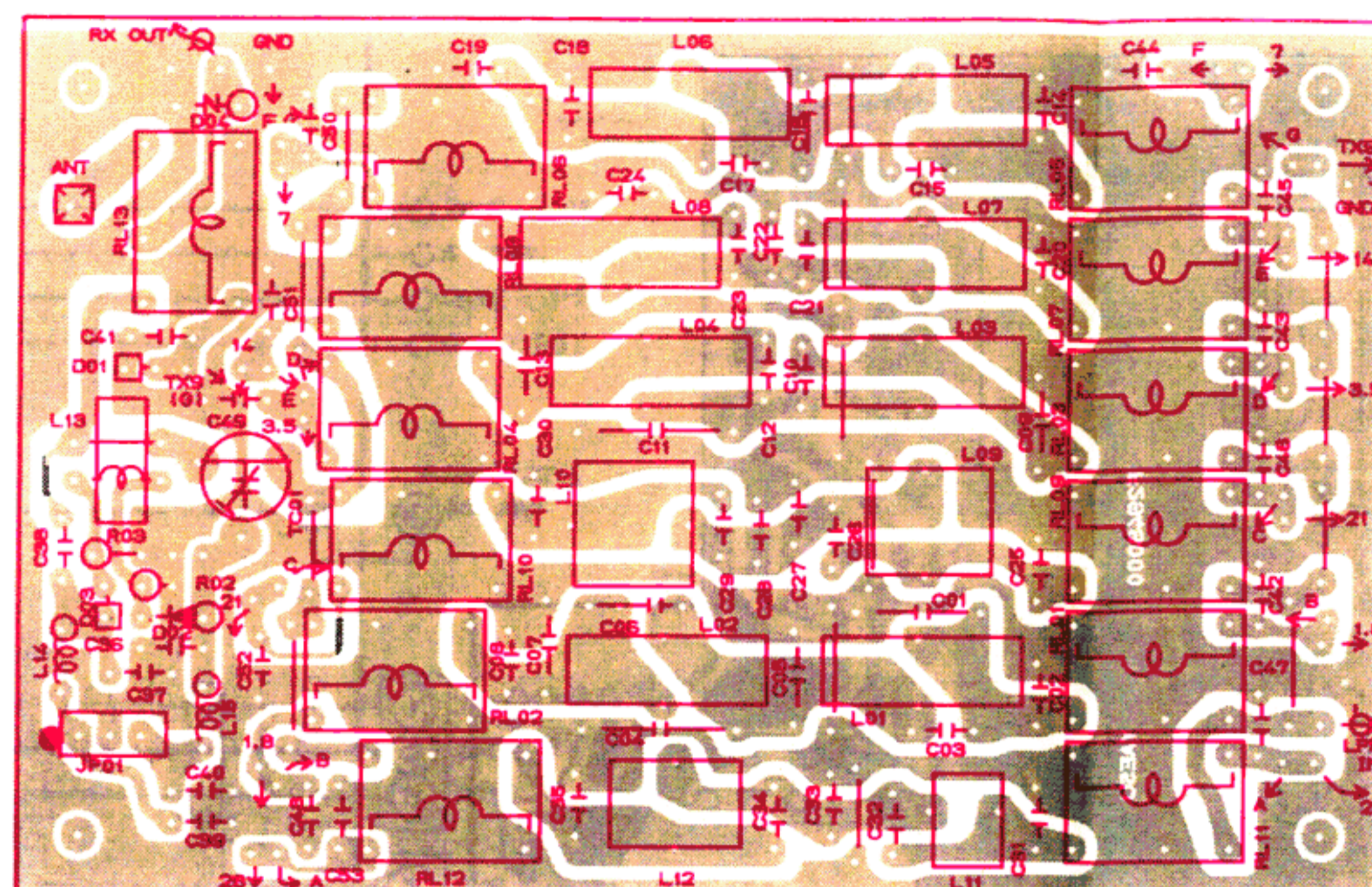
PA UNIT IC VOLTAGE CHART (DC VOLT)

| | 1 (IN) | 2 (GND) | 3 (OUT) | 4 | 5 | 6 | 7 | 8 | REMARKS |
|-------|----------|-------------|---------|-----|---|---|---|-----------|------------|
| Q5006 | 0.4/13.4 | 0/0 | 0/8.0 | | | | | | RX/TX |
| Q5010 | 1.4/1.3 | 40-70/10-30 | 2.8/3.1 | 0/0 | - | - | - | 13.5/13.5 | FAN OFF/ON |

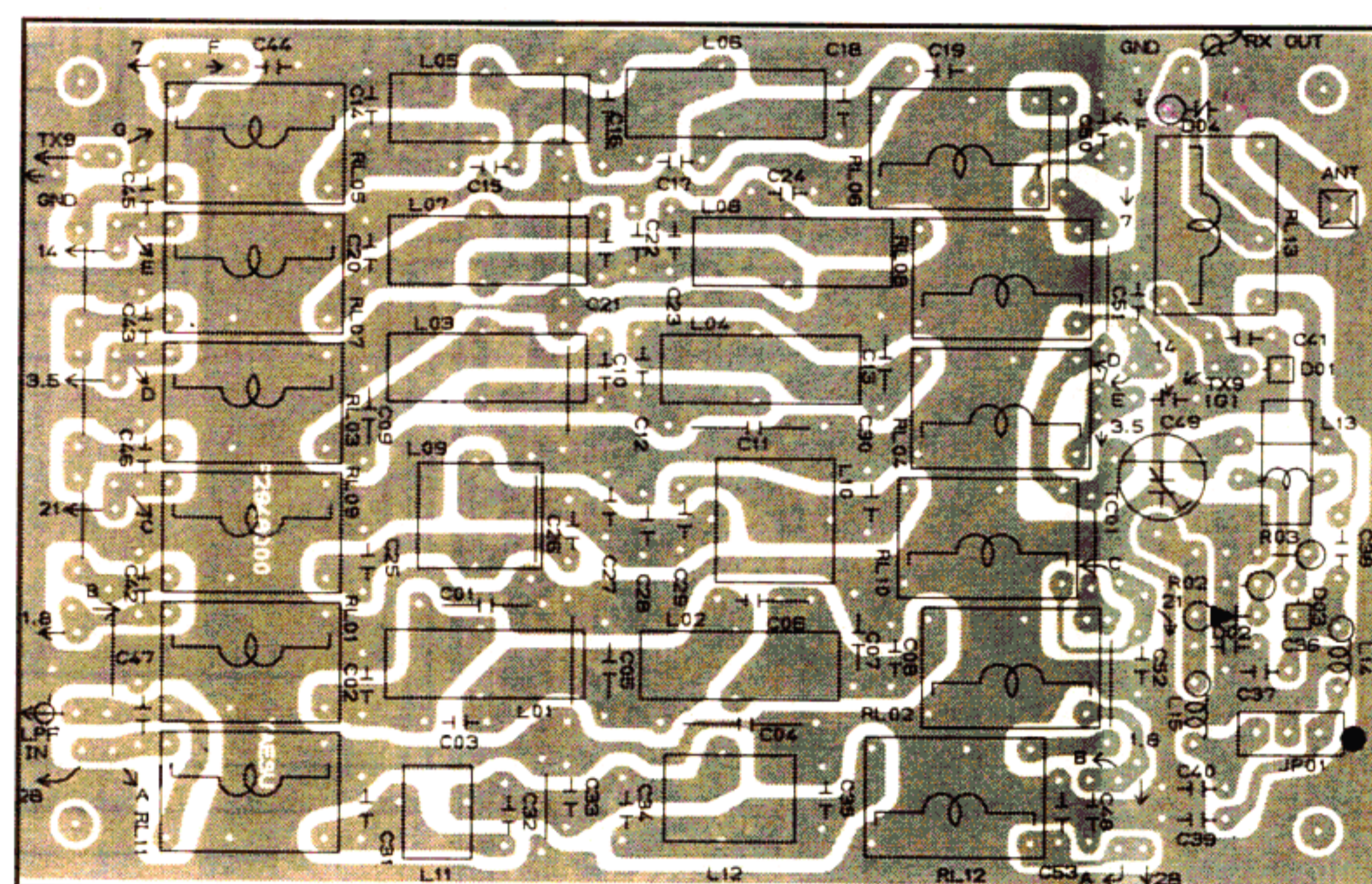


CIRCUIT DIAGRAM

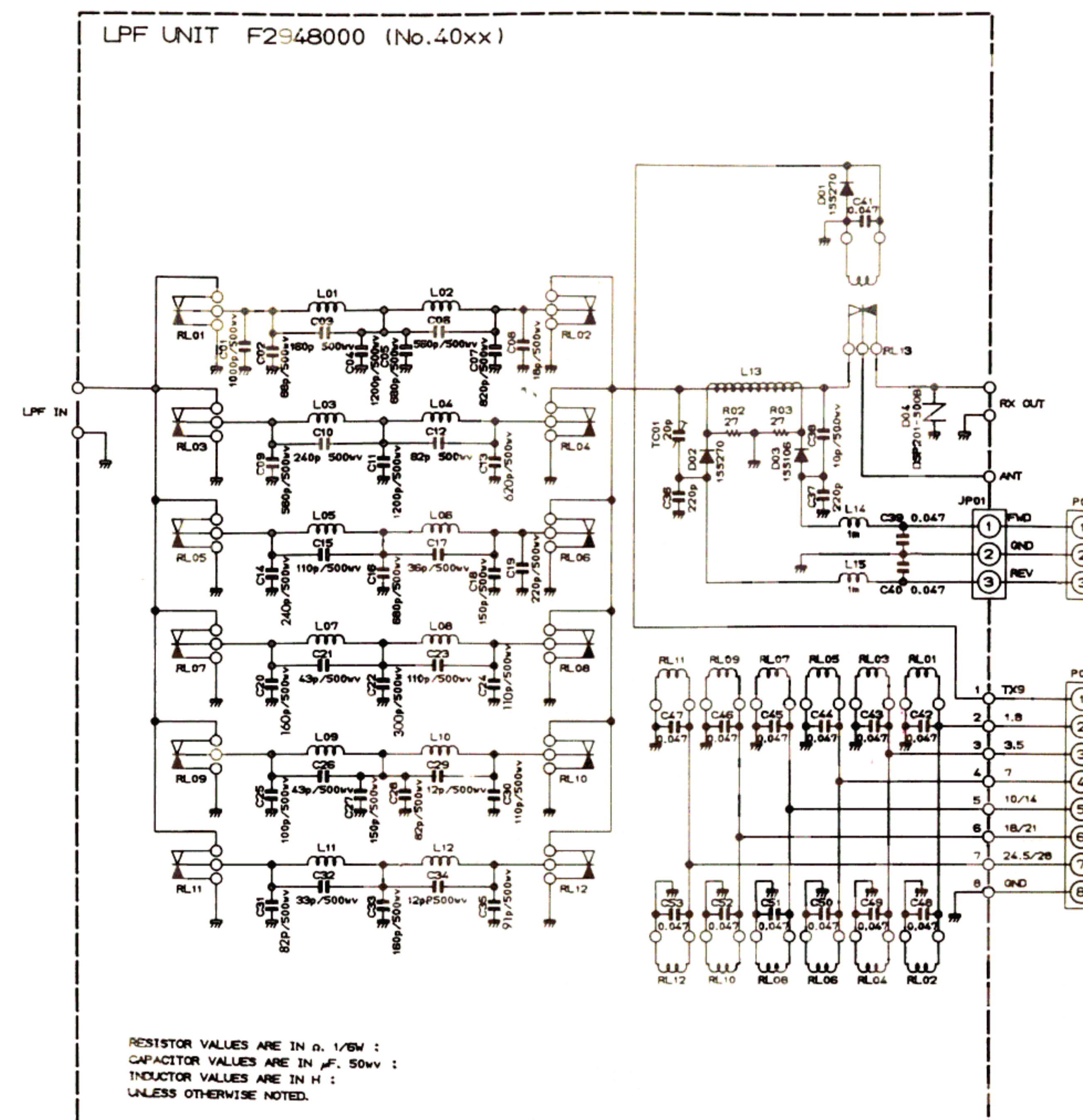
PARTS LAYOUT



Component side (obverse)



Component side (reverse)



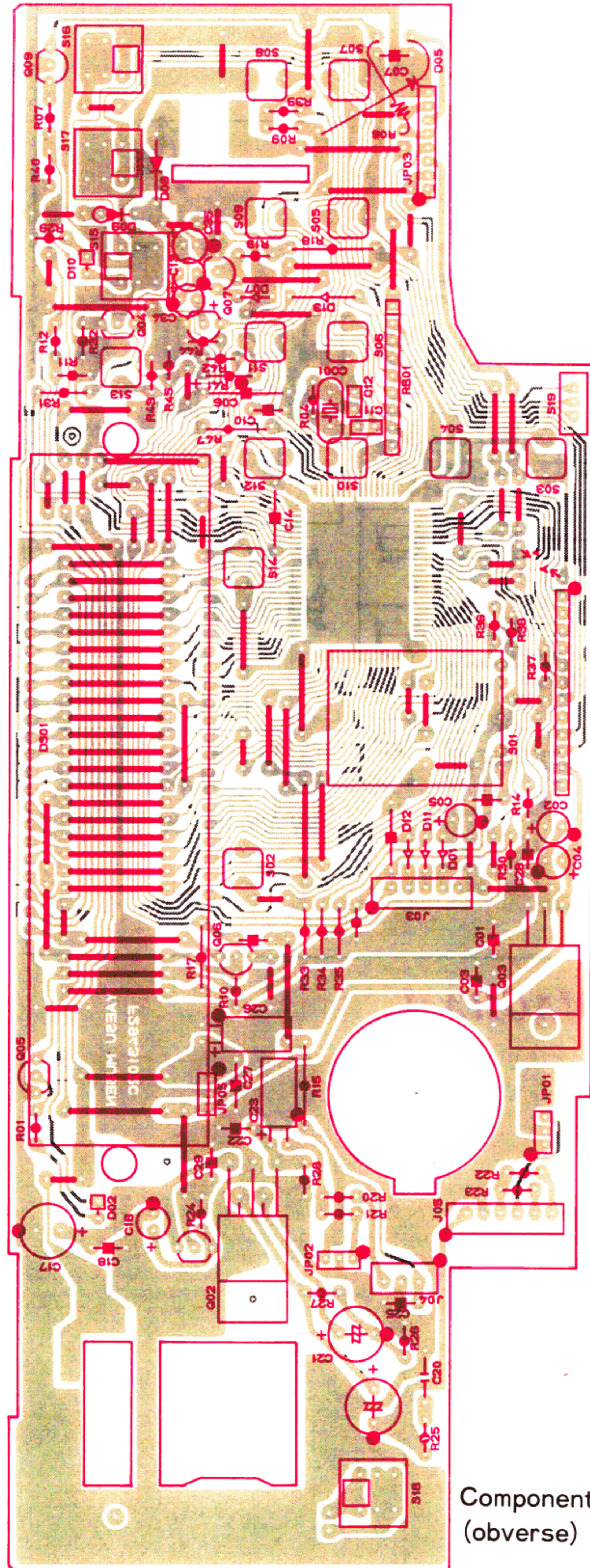
CIRCUIT DIAGRAM

RESISTOR VALUES ARE IN Ω, 1/5W ;
CAPACITOR VALUES ARE IN pF, 50V ;
INDUCTOR VALUES ARE IN nH ;
UNLESS OTHERWISE NOTED.

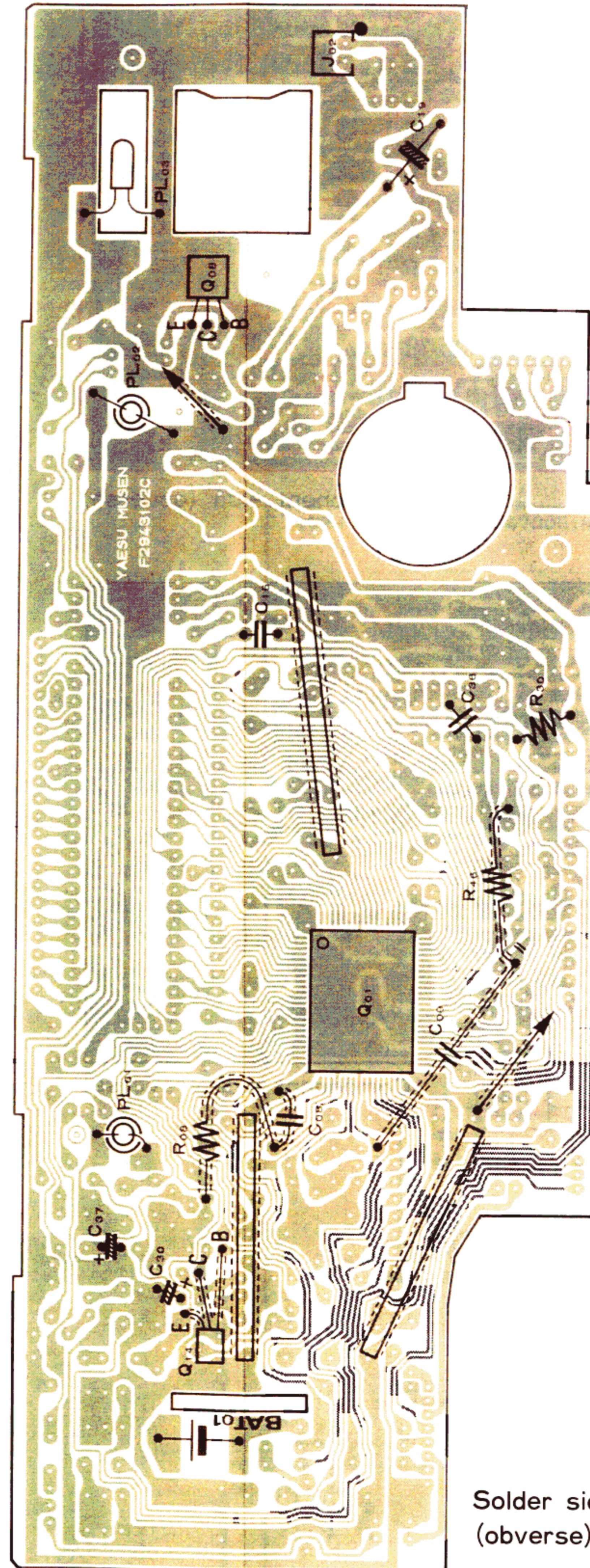


DISPLAY UNIT

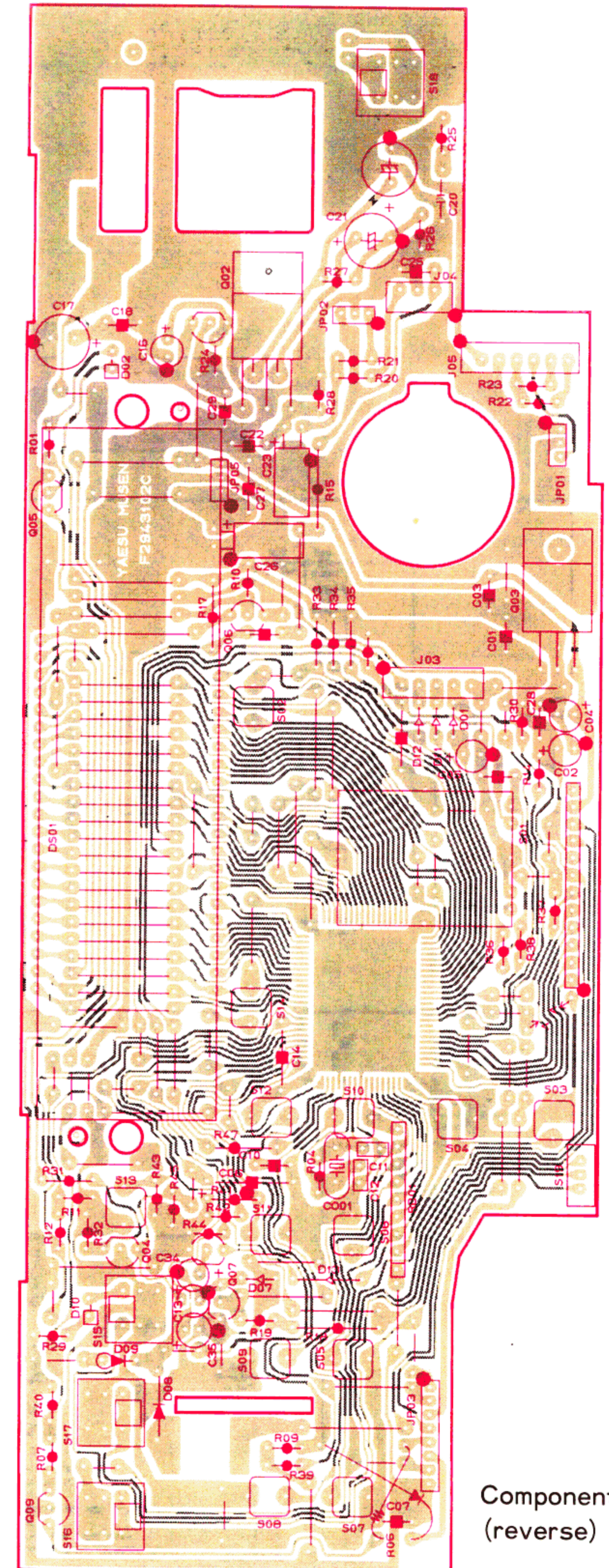
PARTS LAYOUT



Component side
(obverse)

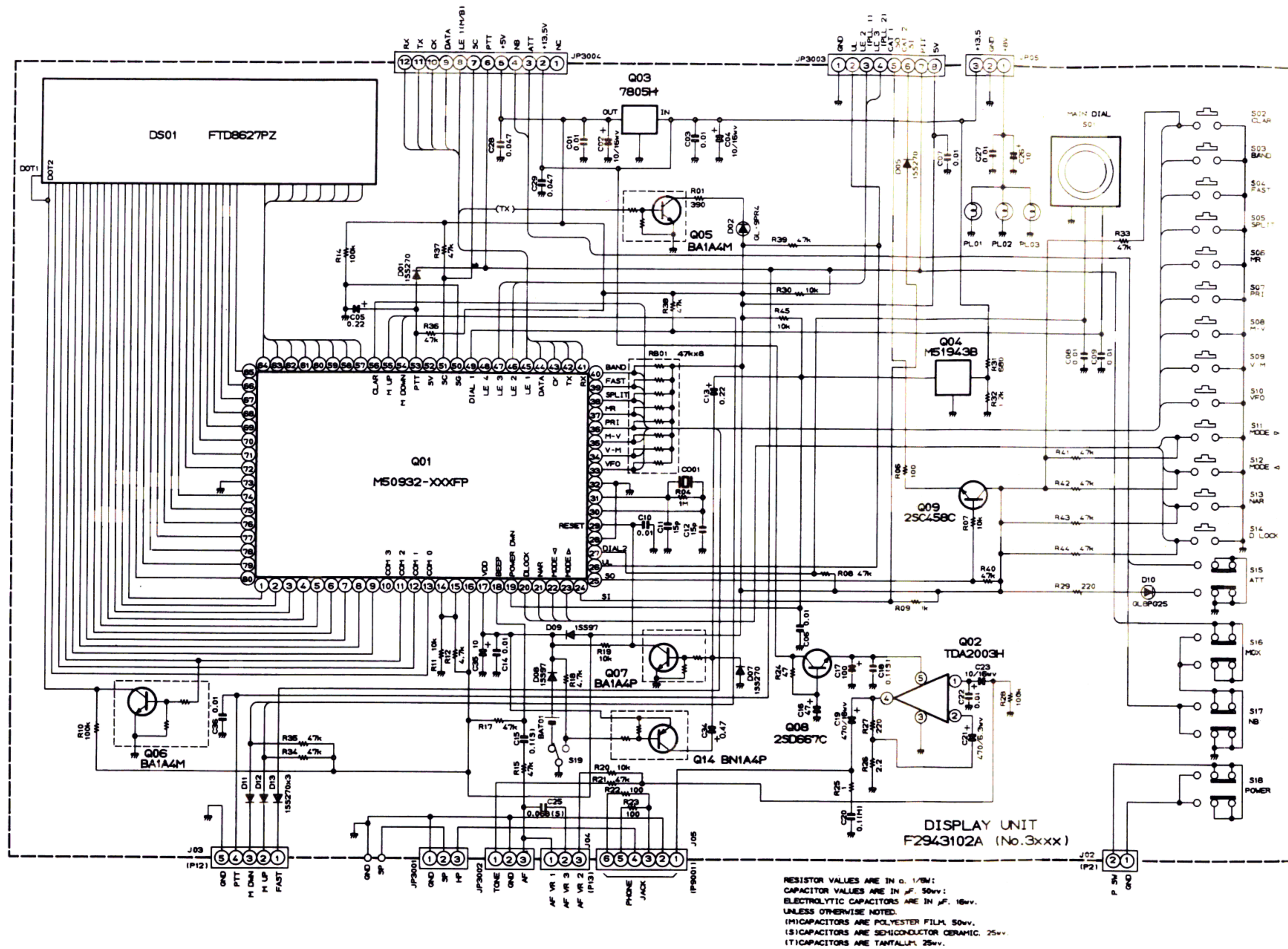


Solder side
(obverse)



Component side
(reverse)

CIRCUIT DIAGRAM



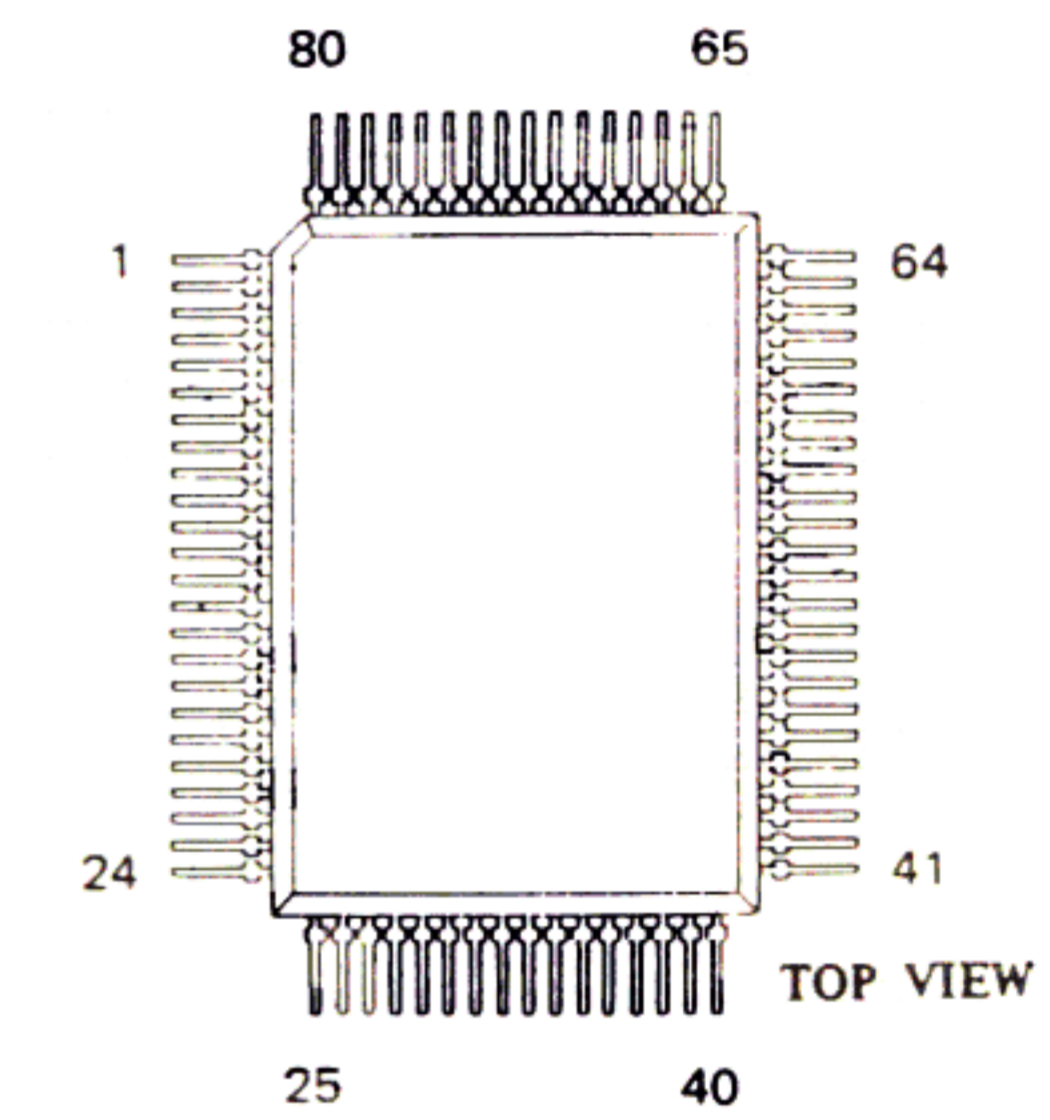
RESISTOR VALUES ARE IN Ω , $\text{k}\Omega$, $\text{M}\Omega$.
 CAPACITOR VALUES ARE IN μF , 50V.
 ELECTROLYTIC CAPACITORS ARE IN μF , 16V.
 UNLESS OTHERWISE NOTED.
 (M) CAPACITORS ARE POLYESTER FILM, 50V.
 (S) CAPACITORS ARE SEMICONDUCTOR CERAMIC, 25V.
 (T) CAPACITORS ARE TANTALUM, 25V.

DISPLAY UNIT VOLTAGE CHART
(DC VOLT)

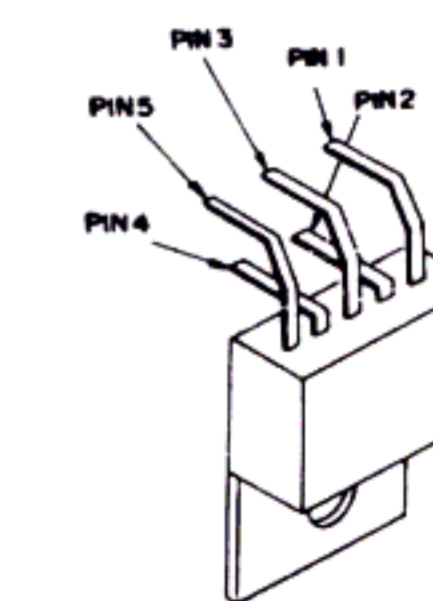
| | E | C | B | REMARKS |
|-------|------|-------|-------|---------|
| Q3005 | 0/0 | 3.5/0 | 0/4.5 | RX/TX |
| Q3006 | 2.7 | 0.8 | 0 | |
| Q3007 | 0 | 4.6 | 0 | |
| Q3008 | 12.7 | 13.4 | 13.4 | |
| Q3009 | 4.2 | 5.0 | 4.6 | |
| Q3014 | 4.6 | 0 | 4.0 | |

DISPLAY UNIT VOLTAGE CHART
(DC VOLT)

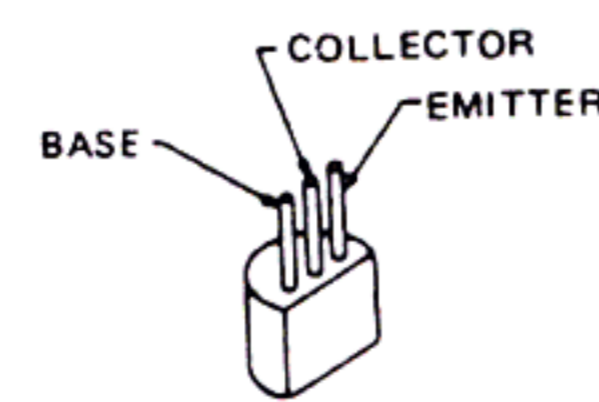
| | 1 (IN) | 2 (GND) | 3 (OUT) | 4 | 5 | REMARKS |
|-------|--------|---------|---------|-----|------|---------|
| Q3002 | 0.7 | 0.1 | 0 | 4.8 | 12.7 | |
| Q3003 | 13.5 | 0 | 5.0 | | | |
| Q3004 | 8.3 | 0 | 5.0 | | | |



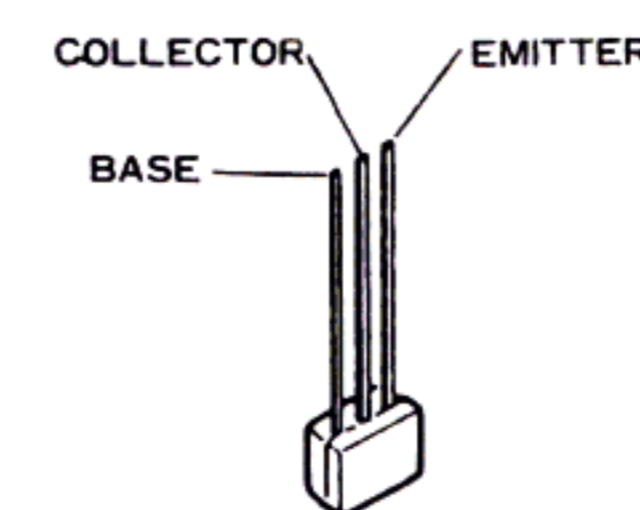
M50932-501FP (Q3001)



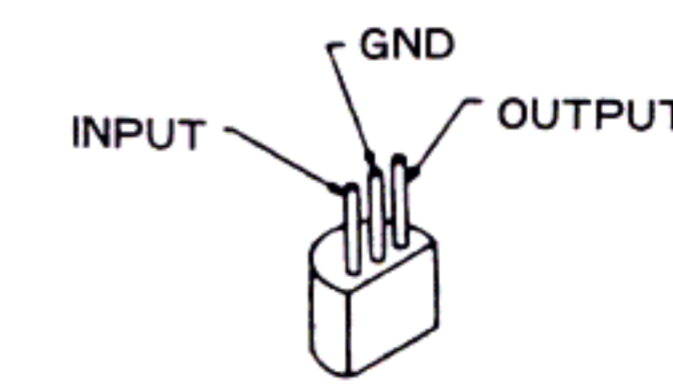
TDA2003H (Q3002)



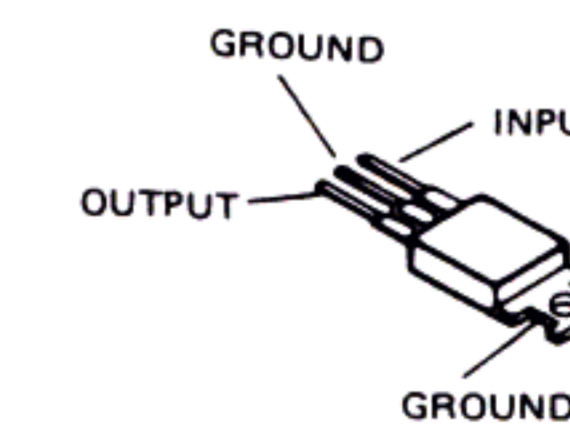
2SC458 (Q3009)
2SD667C (Q3008)



BA1A4M (Q3005,3006)
BA1A4P (Q3007)
BN1A4P (Q3014)



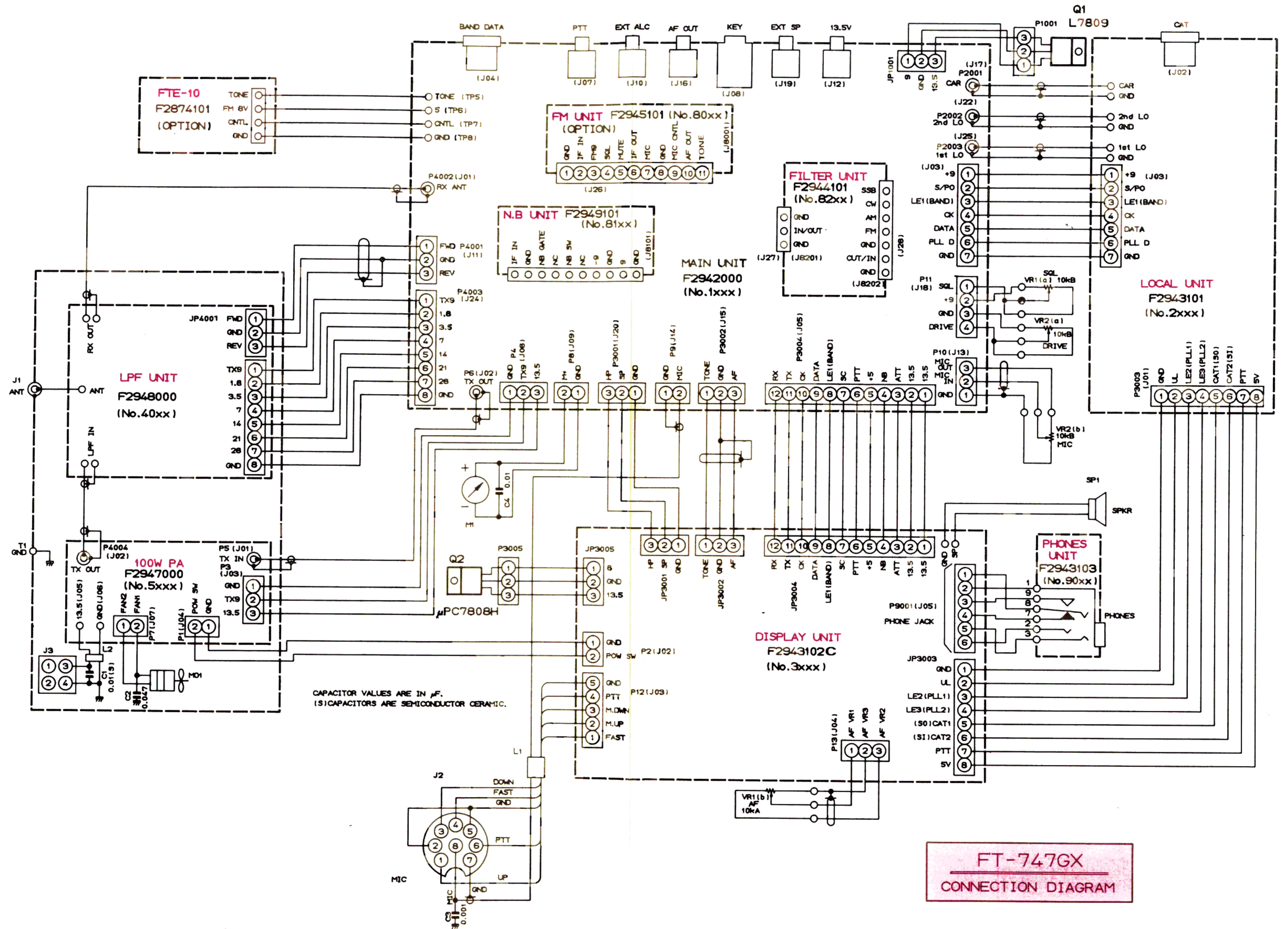
M51943BSL (Q3004)



μPC7805H (Q3003)

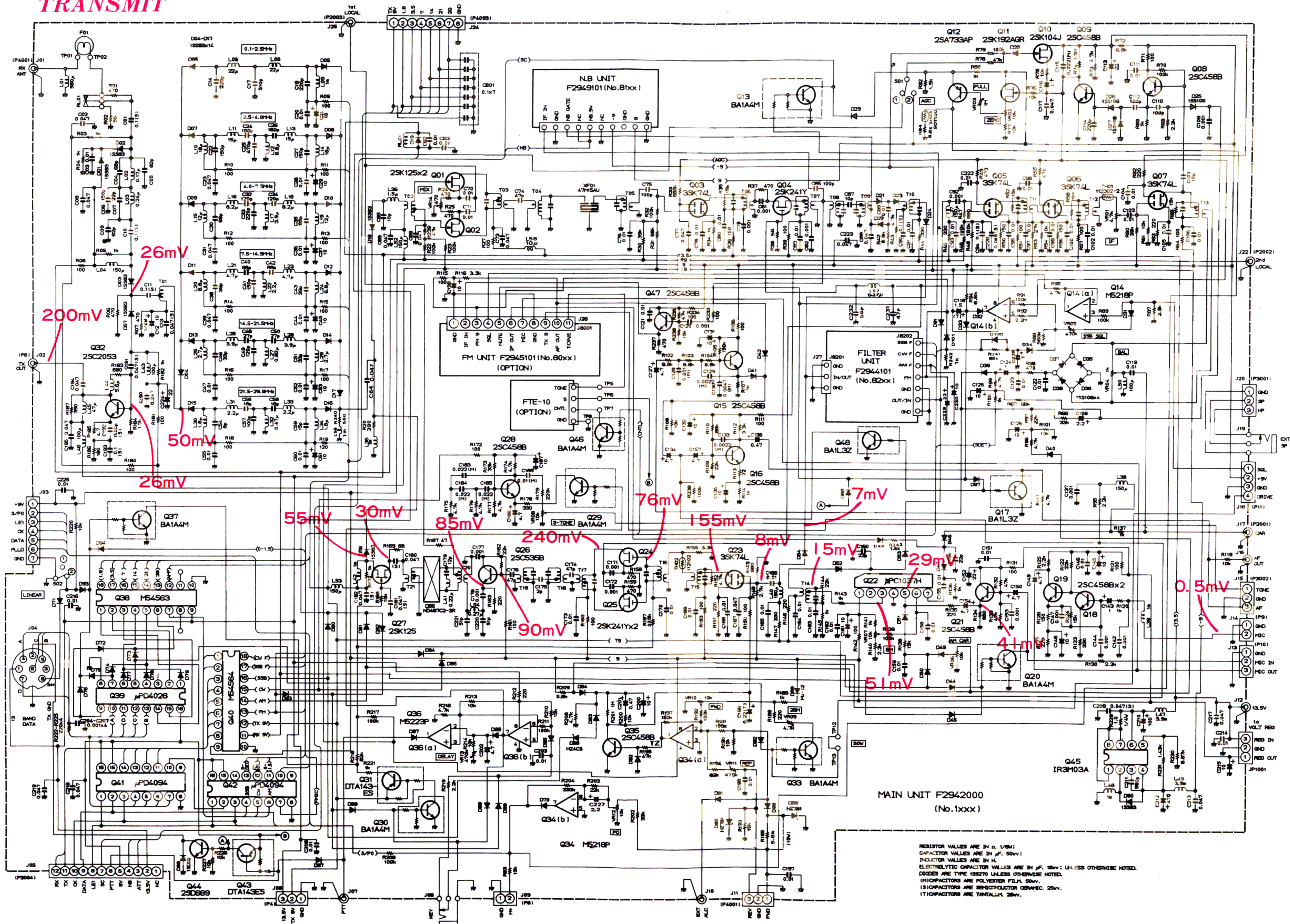
Component side reverse)

CONNECTION DIAGRAM



FT-747GX
CONNECTION DIAGRAM

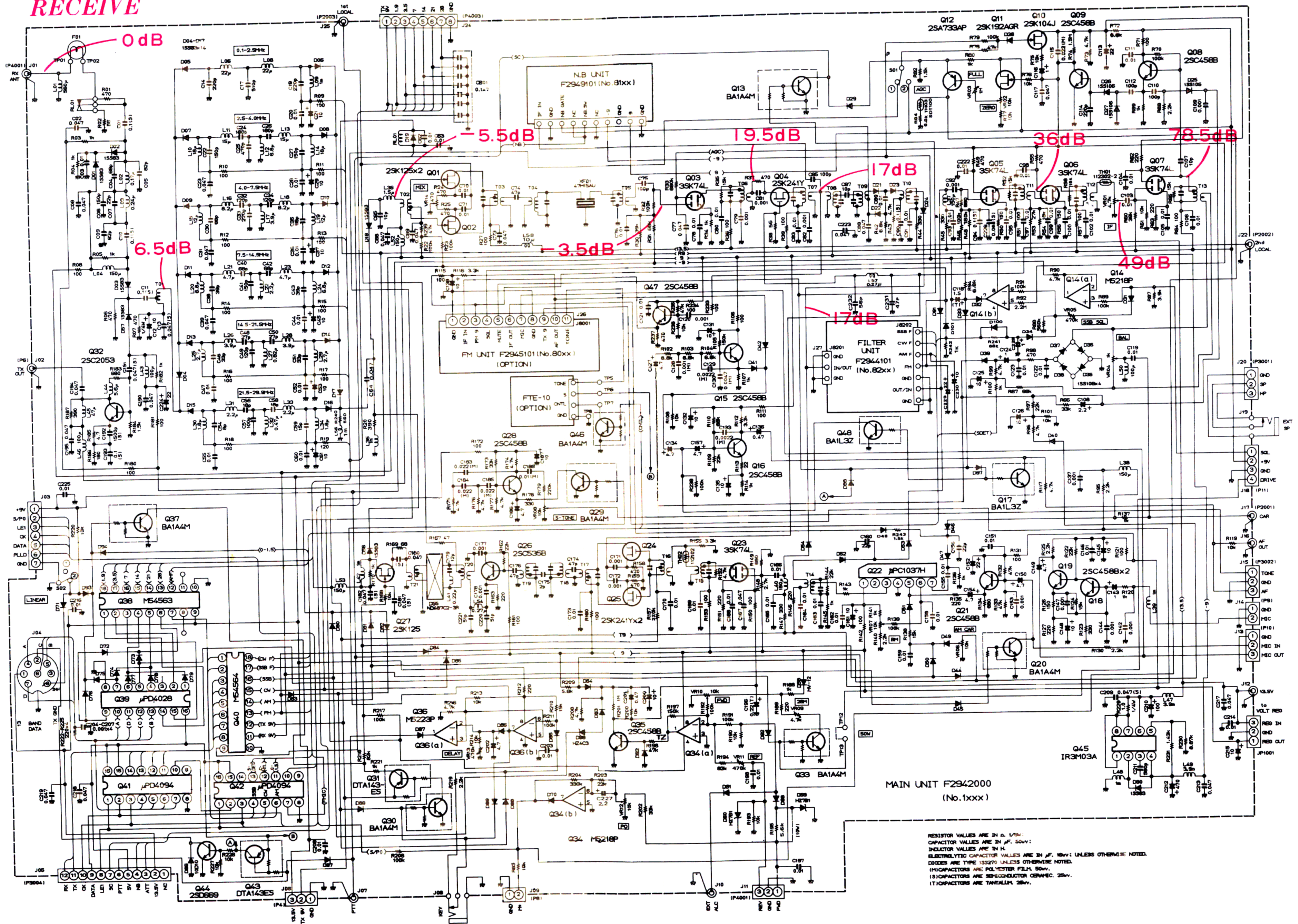
TRANSMIT



RESISTOR VALUES ARE IN Ω , μ M, K, M;
 CAPACITOR VALUES ARE IN pF, 50V;
 INDUCTOR VALUES ARE IN μ H;
 ELECTROLYTIC CAPACITOR VALUES ARE IN μ F, 10V; UNLESS OTHERWISE NOTED.
 DIODES ARE TYPE 1N4148 UNLESS OTHERWISE NOTED.
 MICROCAPACITORS ARE POLYESTER FILM, 50V.
 (S) CAPACITORS ARE SEMICONDUCTOR CERAMIC, 25V.
 (T) CAPACITORS ARE TANTALUM, 25V.

LEVEL DIAGRAM

RECEIVE

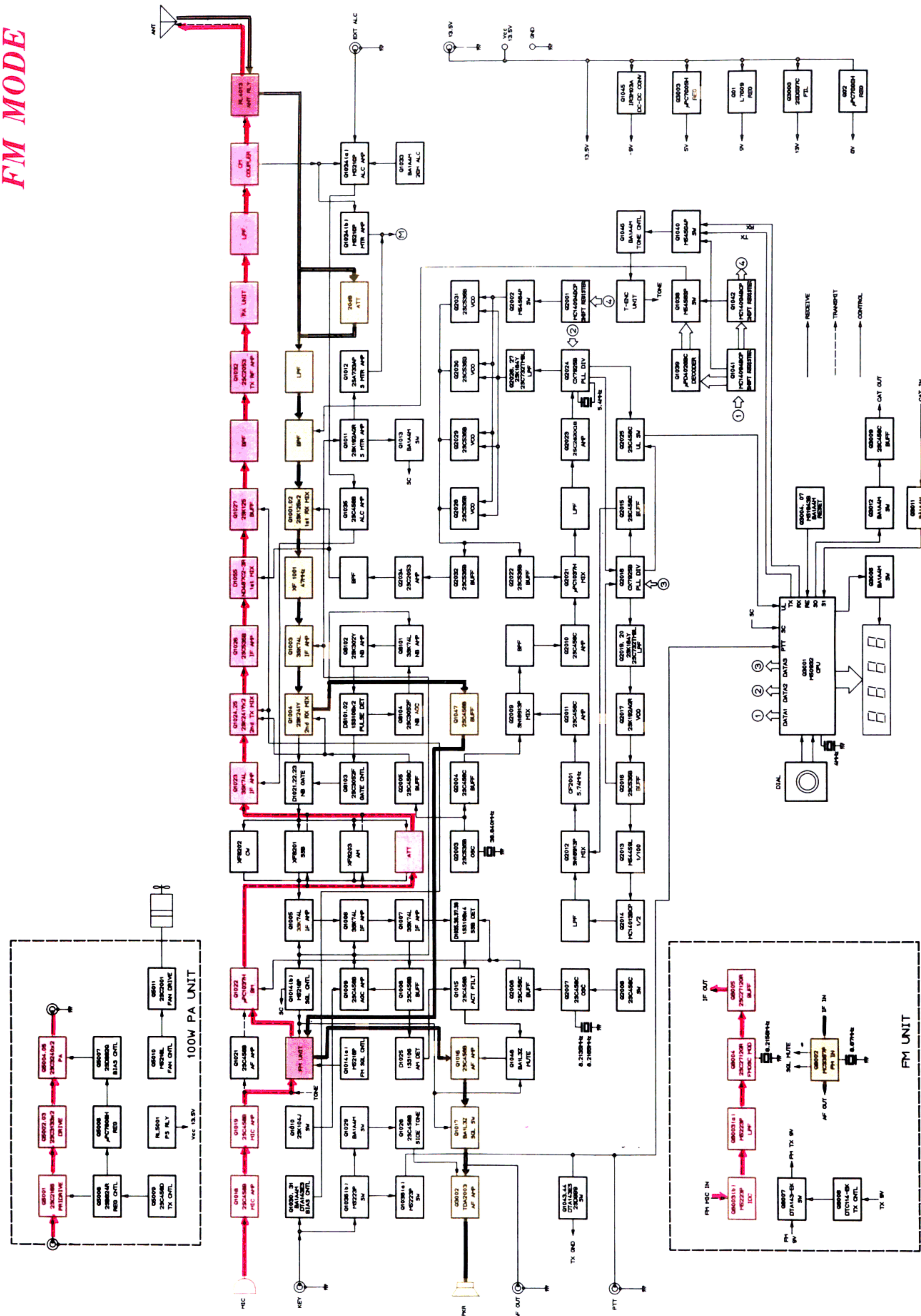


MAIN UNIT F2942000
(No. 1xxx)

RESISTOR VALUES ARE IN Ω , $k\Omega$, $M\Omega$.
CAPACITOR VALUES ARE IN μF , $500V$.
INDUCTOR VALUES ARE IN μH .
ELECTROLYTIC CAPACITOR VALUES ARE IN μF , $50V$; UNLESS OTHERWISE NOTED.
DIODES ARE TYPE 1N4001 UNLESS OTHERWISE NOTED.
MPC CAPACITORS ARE POLYESTER FILM, $50V$.
MPC CAPACITORS ARE MEDIUM-DENSITY CERAMIC, $25V$.
MPC CAPACITORS ARE TANTALUM, $25V$.

SIGNAL PATH

FM MODE



ALIGNMENT

The FT-747GX is carefully designed to allow the knowledgeable operator to make all adjustments required for various station conditions, modes and operator preferences simply from the controls on the front panel, without opening the case of the transceiver. These adjustments are described in the FT-747GX Operating Manual.

The following procedures cover the sometimes critical and tedious adjustments that are not normally required once the transceiver has left the factory. However, if damage occurs and some parts subsequently be replaced, realignment may be required. If a sudden problem occurs during normal operation, it is likely due to component failure; realignment should not be done until after the faulty component has been replaced.

We recommend servicing be performed only by authorized Yaesu service technicians who are experienced with the circuitry and fully equipped for repair and alignment. Therefore, if a fault is suspected, contact the dealer from whom the transceiver was purchased for instructions regarding repair. Authorized Yaesu service technicians realign all circuits and make complete performance checks to ensure compliance with factory specifications after replacing any faulty components.

Those who do undertake any alignment are cautioned to proceed at their own risk. Problems caused by unauthorized attempts at realignment are not covered by the warranty policy. Also, Yaesu must reserve the right to change circuits and alignment procedures in the interest of improved performance, without notifying owners.

Under no circumstances should alignment be attempted unless the normal function and operation of the transceiver are clearly understood, the cause of the malfunction has been clearly pinpointed and any faulty

components replaced, and the need for realignment determined to be absolutely necessary.

The following test equipment (and thorough familiarity with its correct use) is necessary for complete realignment. Correction of problems caused by misalignment resulting from use of improper test equipment is not covered under the warranty policy. While most steps do not require all equipment listed, interactions of some adjustments may require complex adjustments be performed afterwards. Do not attempt to perform only a single step unless it is clearly isolated electrically from all other steps. Rather, have all test equipment ready before beginning, and follow all of the steps in a section in the order they are presented.

A 50-ohm dummy load must be connected to the antenna jack in steps calling for transmission (pressing the MOX button). Correct alignment is not possible with an antenna.

The NAR, ATT and NB buttons should be set to OFF and the SQL control must be fully counterclockwise, unless stated otherwise.

After completing one step, read the following step to determine whether the same test equipment will be required. If not, remove the test equipment (except dummy load and wattmeter, if connected) before proceeding.

ALIGNMENT

Alignment Equipment

Frequency counter with accuracy of 0.1 ppm to 100 MHz

DC voltmeter with at least 10-Megohm input impedance

RF voltmeter with at least 5% accuracy to 100 MHz, high impedance, and ranging from 10 mV to 3 Vrms

AF millivoltmeter

DC milliammeter ranging to 500 mA

RF in-line wattmeter

Resistive dummy load, 50 ohms, 150W; three required for SWR Turndown alignment

RF signal generator covering 1-30 MHz, with calibrated output levels from 5 dBμ to 100 dBμ

AF signal generator with calibrated output levels from 1 mV to 25 mV

RF sampling coupler ("T")

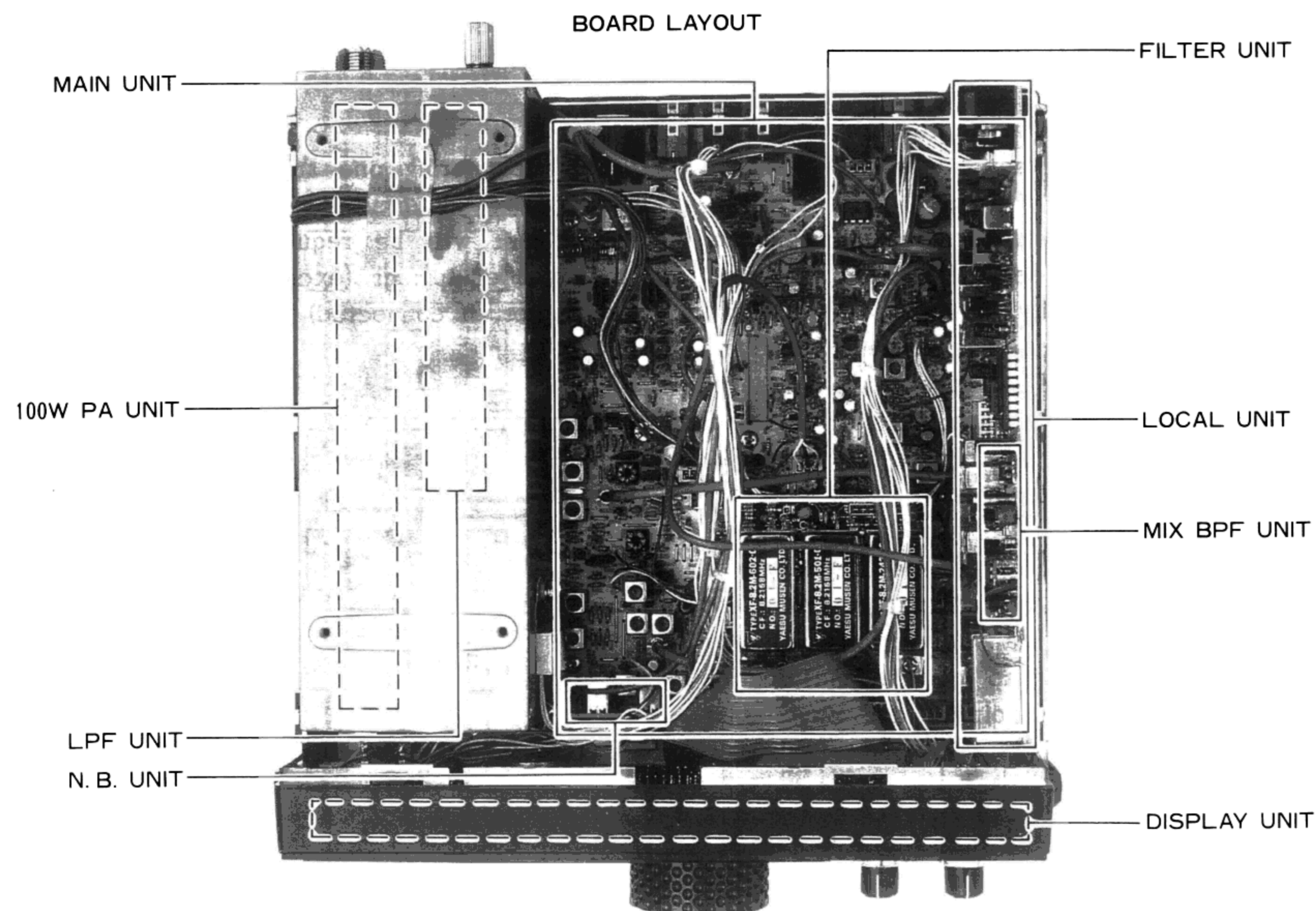
Additional Alignment Precautions

Correct alignment requires that the ambient temperature be the same as that of the transceiver and test equipment, and that this temperature be held constant between 20 and 30 °C (68 to 86 °F). When the transceiver is brought into the shop from hot or cold air it should be allowed some time for thermal equalization before alignment.

Alignments must only be made with oscillator shields and circuit boards firmly affixed in place. Also, the test equipment must be thoroughly warmed up before beginning.

Alignment values assume a DC supply voltage of 13.5V DC.

Note: Signal levels in dB referred to in the alignment procedure are based on 0dBu=0.5uV.



ALIGNMENT

I. Local Unit

A. 2nd Local Overall Check

1. Disconnect TMP plug P2002 from J1022 on the Main Unit.
2. Connect the frequency counter to P2002 and confirm 38.8380 MHz \pm 400 Hz on the counter.
3. Remove the counter and connect a 50-ohm resistor and the RF voltmeter to P2002.
4. Confirm at least 230 mVrms on the voltmeter.
5. Disconnect the resistor and voltmeter, and replace P2002 in J1022.

B. PLL Subloop VCO

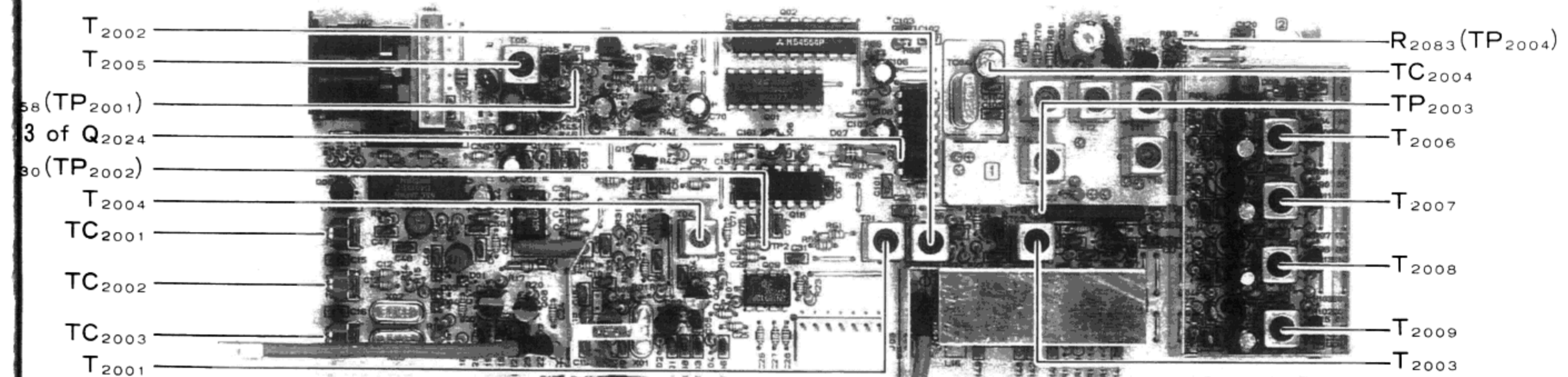
1. Connect the DC voltmeter between the exposed lead of R2058 (TP2001) and chassis ground.
2. Tune the transceiver to 7.0015 MHz, LSB mode.
3. Adjust T2005 for 2.0 \pm 0.1V on the meter.
4. Retune the transceiver to 7.0014 MHz and confirm at least 5.6 \pm 0.6V on the voltmeter.
5. Disconnect the voltmeter.

C. PLL Subloop BPF

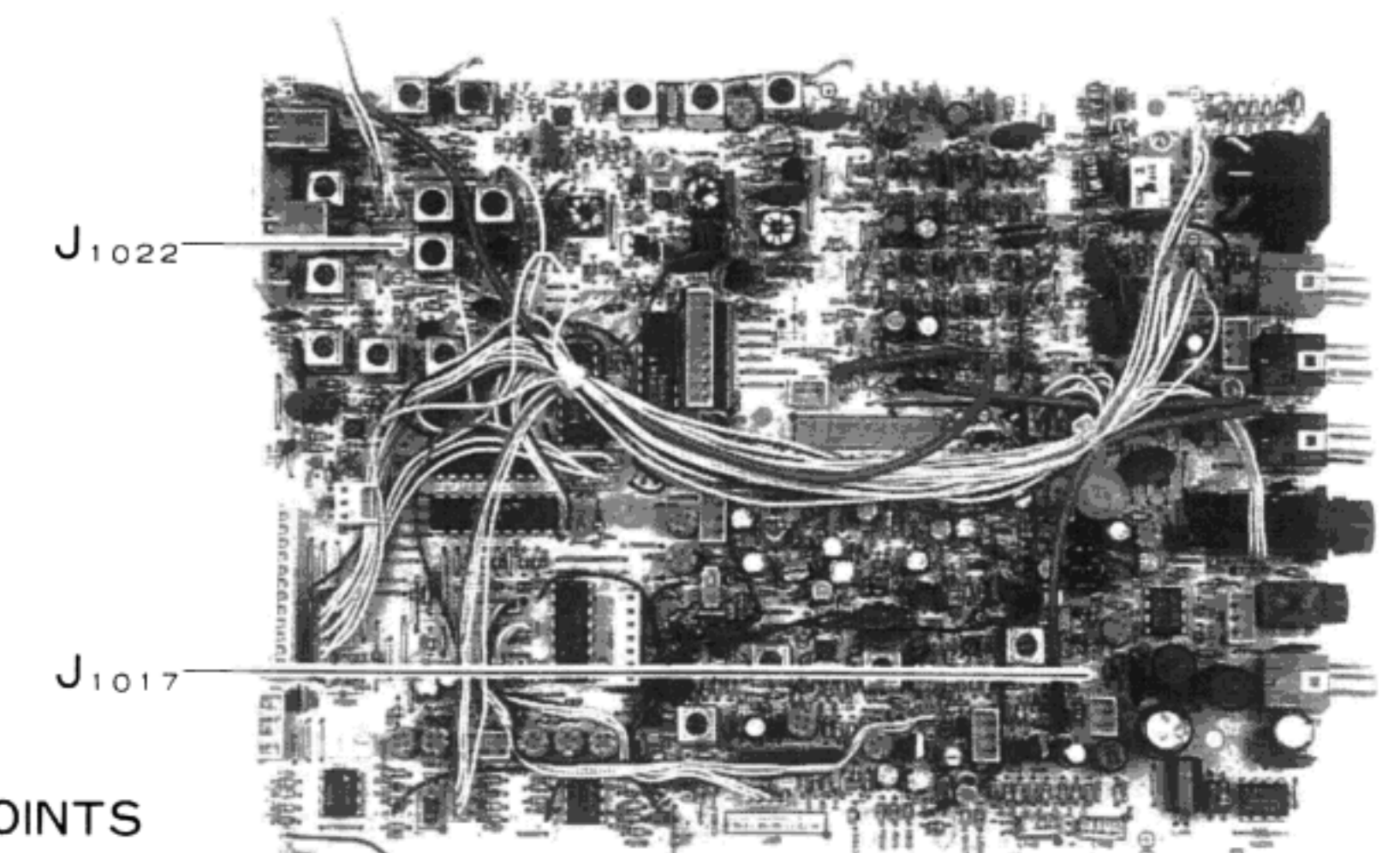
1. Connect the RF voltmeter to the exposed lead of C2030 (TP2002).
2. Tune the transceiver to 7.0265 MHz, LSB mode.
3. Adjust T2004 for peak on the voltmeter (at least 70 mVrms).
4. Move the voltmeter to TP2003, and retune the transceiver to 7.0267 MHz.
5. Adjust T2001-T2003 for peak on the voltmeter (more than 50 mVrms).
6. Disconnect the voltmeter.

D. PLL Main Loop VCO

1. Connect the DC voltmeter between the exposed lead of R2083 (TP2004) and chassis ground.
2. Referring to the following table, tune the transceiver to each adjustment frequency (MHz), adjust the corresponding transformer for 1.5 \pm 0.1V, retune to the corresponding check frequency and confirm the check voltage on the voltmeter.



LOCAL UNIT ALIGNMENT POINTS



MAIN UNIT ALIGNMENT POINTS

ALIGNMENT

| Adjust. Frequency | Adjust. Transformer | Check Freq. | Check Voltage |
|-------------------|---------------------|-------------|---------------|
| 2.5000 | T2006 | 2.4999 | 4.5-6.5V |
| | | 7.4999 | 5.0-6.5V |
| | | 0.1000 | 1.5-3.0V |
| 7.5000 | T2007 | 14.4999 | 5.0-6.5V |
| 14.5000 | T2008 | 21.4999 | 5.0-6.5V |
| 21.5000 | T2009 | 29.9999 | 5.0-6.5V |

3. Connect the RF voltmeter to pin 13 of Q2024 and tune the transceiver to 29.9999 MHz. Confirm at least 90mVrms on the RF voltmeter.
4. Disconnect the voltmeters.

E. Reference Oscillator

1. Connect the frequency counter to the exposed lead of C2030 (TP2002).
2. Tune the transceiver to 7.0000 MHz, LSB mode.
3. If the TCXO option is installed, adjust the trimmer accessible through the hole in the TCXO housing, if necessary, for 5.7635 MHz \pm 3 Hz on the counter.
4. If the TCXO option is not installed, adjust TC2004, if necessary, for 5.7635 MHz \pm 10 Hz on the counter.
5. Remove the counter.

F. Carrier Point

1. Disconnect TMP plug P2001 from J1017 on the Main Unit, and connect the frequency counter to P2001.
2. With the LSB mode selected, adjust TC2003 for 8.2135 MHz \pm 10 Hz on the counter.
3. Select USB mode and adjust TC2002 for 8.2165 MHz \pm 10 Hz on the counter.
4. Select CW mode and set the DRIVE control fully counterclockwise (minimum).
5. Press the MOX button to transmit, and adjust TC2001 for 8.2158 MHz \pm 10 Hz on the counter.
6. Press the MOX button again to return to receive, remove the counter and reconnect P2001 to J1017 (unless performing the next procedure).

G. Carrier Level

1. Disconnect TMP plug P2001 from J1017 on the Main Unit, and connect a 50-ohm resistor in parallel with the RF voltmeter to P2001.
2. Confirm at least 230 mVrms on the RF voltmeter in all modes.
3. Remove the voltmeter and resistor, and reconnect P2001 to J1017.

II. Main Unit - Receiver

A. RX IF, Part I

1. Connect the RF generator to the antenna jack, and the AF voltmeter and an 8-ohm, 3W resistor across the EXT SPKR jack.
2. Tune the transceiver to 14.2000 MHz, USB mode. Set the AF gain to the 10 o'clock position.
3. Tune the RF generator for a 1.5 kHz heterodyne in the receiver, and adjust the injection level for S-7 on the S-meter.
4. Adjust T1003-T1013 for peak on the AF voltmeter, reducing the injection level, if necessary, to keep S-meter deflection near S-7.
5. Leave the test equipment connected for the next three procedures.

B. S-meter Sensitivity, Part I

1. Connect the RF voltmeter to the emitter of Q1008.
2. Tune the transceiver to 14.0000 MHz, USB mode, and adjust VR1004 for minimum on the voltmeter.
3. Adjust VR1002 so that the S-meter just begins to deflect.
4. Disconnect the voltmeter, and continue with the next procedure.

C. RX IF, Part II

1. Set the transceiver to 14.2000 MHz (USB).
2. Tune the RF generator for a 1.5 kHz heterodyne in the receiver, and adjust the injection level for S-7 on the S-meter.
3. Adjust T1003-T1013 for maximum on the S-meter, reducing the injection level, if necessary, to keep S-meter deflection near S-7.
4. Reduce the injection level to +6dBu and adjust VR1001 for S-1 indication.
5. Perform the next procedure.

D. S-Meter Sensitivity, Part II

Perform the preceding procedure, if not done already.

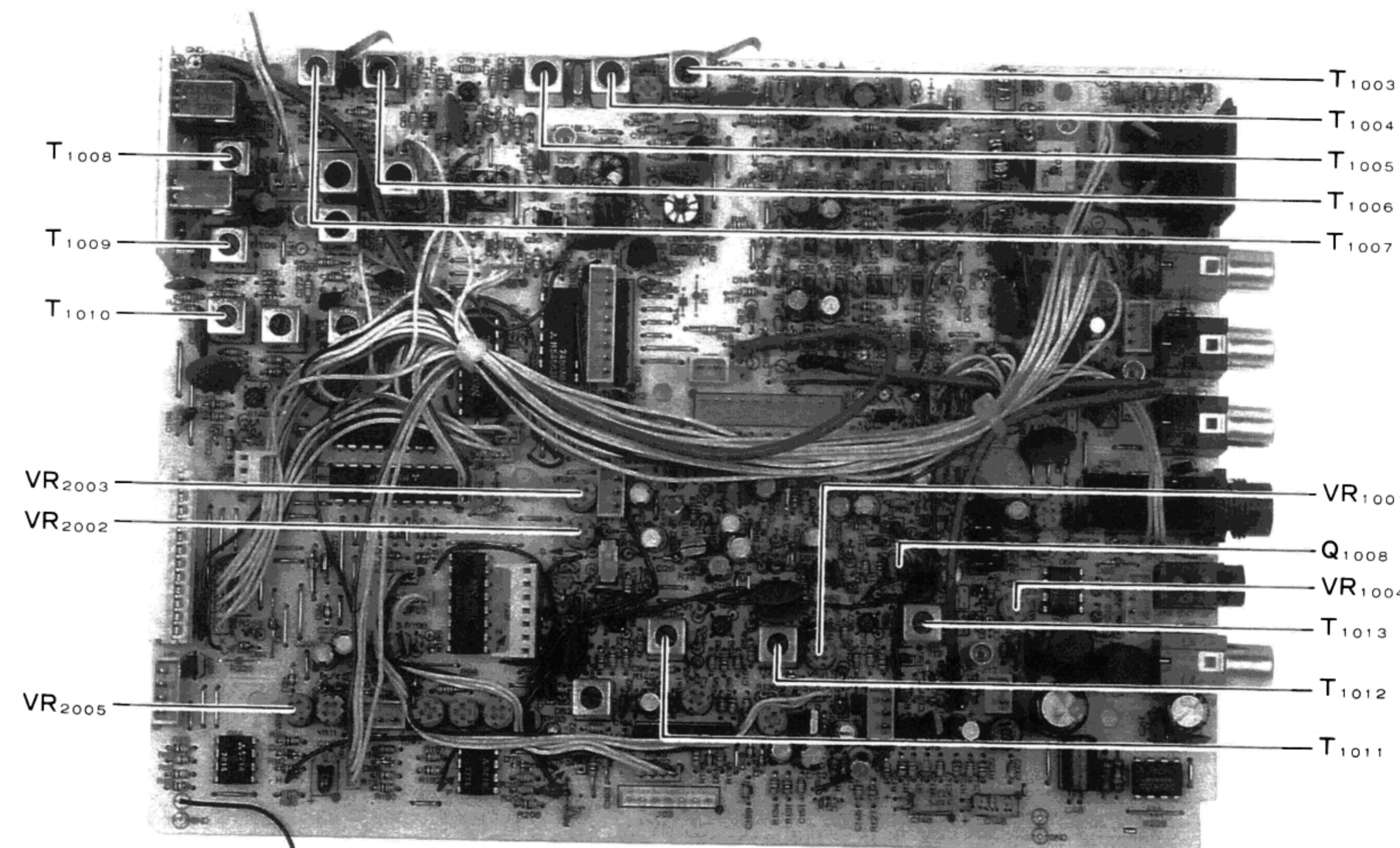
1. Set the RF injection level to +100 dBu and adjust VR1003 for S-meter deflection of 60 dB over S-9.
2. Disconnect the test equipment.

E. RX 1st Mixer

1. In LSB mode, tune to the internal heterodyne near 7.1 MHz.
2. Adjust VR1004 for best null of the heterodyne.

F. Noise Squelch

1. Tune to 14.2000 MHz, USB mode, and set the SQL control to the 10 o'clock position.
2. Adjust VR1005 so the squelch just closes when no signal is received.



MAIN UNIT ALIGNMENT POINTS
(Receiver Section)

ALIGNMENT

ALIGNMENT

III. Main Unit, Transmitter

A. TX IF

1. Connect the dummy load and wattmeter to the antenna jack, and tune to 14.2000 MHz, CW mode.
2. Press the MOX button and set the DRIVE control for 50W output.
3. Adjust T1014-T1019 for peak on the wattmeter, reducing the DRIVE, if necessary, to keep power below 60W output.
4. Press the MOX button again to return to receive.

B. ALC & PO Meter Sensitivity

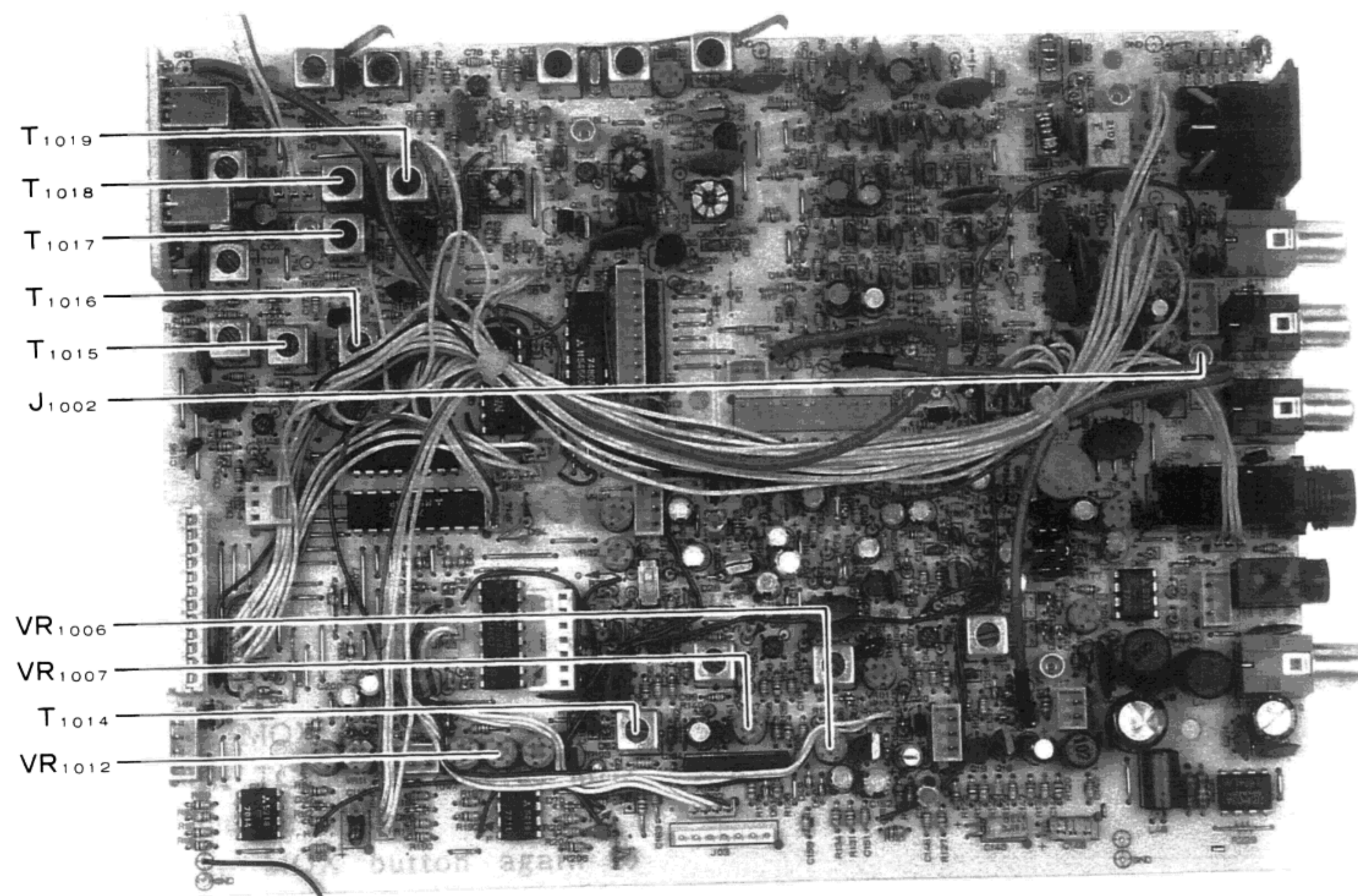
1. With the dummy load and wattmeter connected to the antenna jack, and tuned to 14.2000 MHz, CW mode, set the DRIVE control fully clockwise.
2. Press the MOX button and adjust VR1010 for 100W output, and then VR1012 for S-meter deflection to "8" on the PO scale, repeating both adjustments alternately several times.

C. SSB Carrier Balance

1. With the dummy load and wattmeter connected to the antenna jack, and tuned to 14.2000 MHz, CW mode, set the MIC gain fully counterclockwise.
2. Connect the RF voltmeter to J1002.
3. Press the MOX button and adjust VR1007 for minimum on the voltmeter.
4. Press the MOX button again to return to receive, and disconnect the voltmeter.

D. AM Carrier Level

1. With the dummy load and wattmeter connected to the antenna jack, and tuned to 14.2000 MHz, AM mode, set the MIC gain fully counterclockwise.
2. Preset VR1006 fully clockwise.
3. Press the MOX button and set the DRIVE control for 80W output.
4. Adjust VR1006 for 20W output.
5. Press the MOX button again to return to receive, and remove the test equipment.

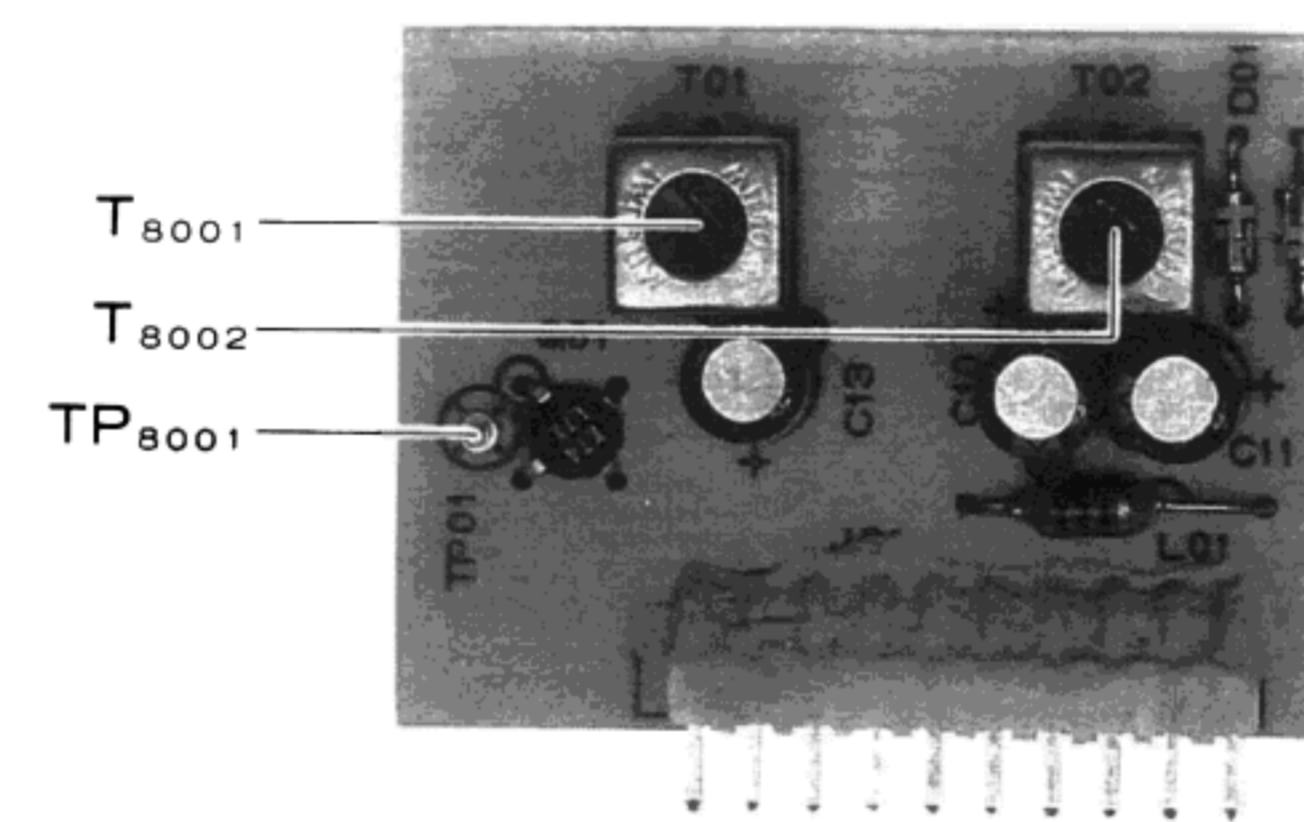


MAIN UNIT ALIGNMENT POINTS
(Transmitter Section)

ALIGNMENT

IV. Noise Blanker Unit

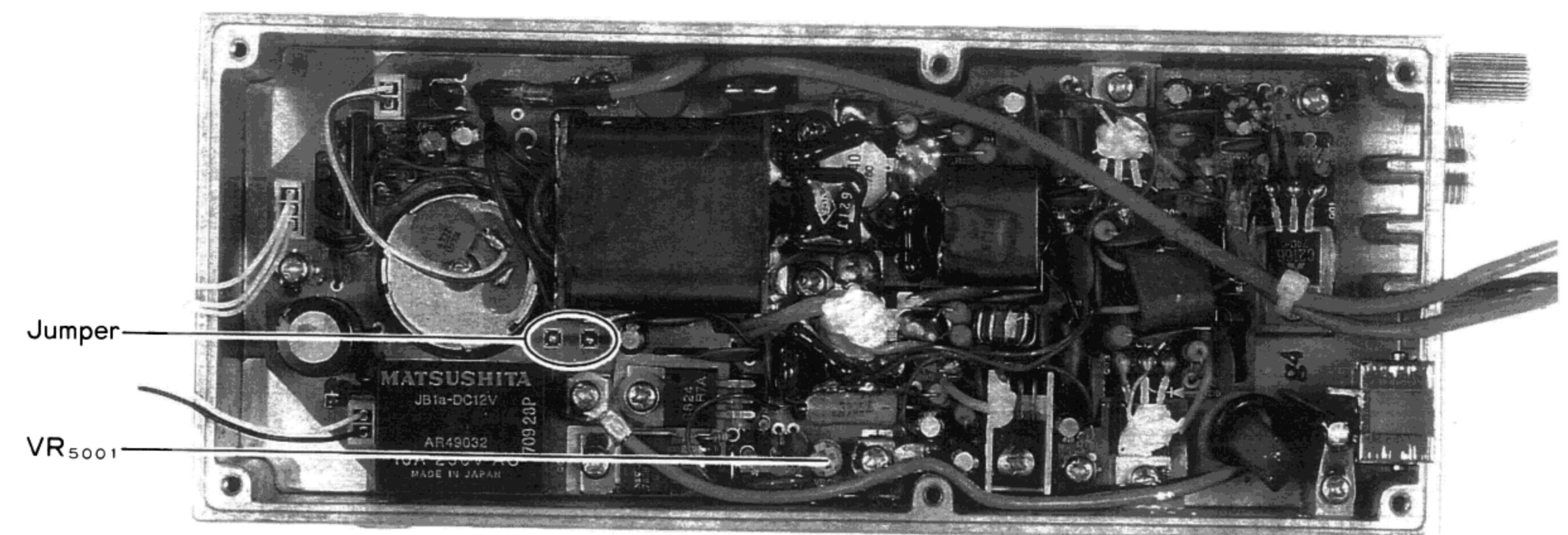
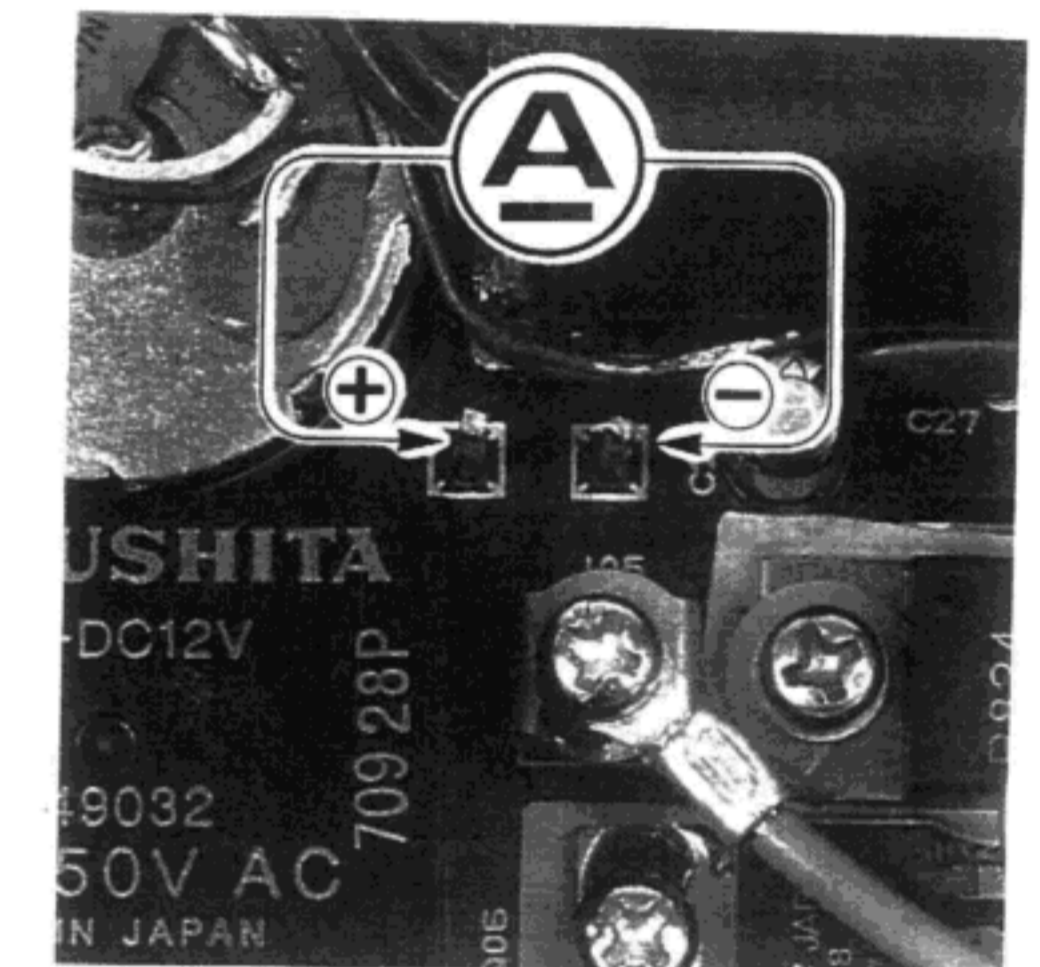
1. Connect the RF generator to the antenna jack, and the DC voltmeter between TP8001 and chassis ground.
2. Tune the transceiver and RF generator to 14.2000 MHz, and inject 40 dBu with no modulation.
3. Press the NB switch and select the USB mode.
4. Adjust T8001 and T8002 for minimum deflection on the voltmeter.
5. Disconnect the test equipment.



NB UNIT ALIGNMENT POINTS

V. 100W PA Unit (Idling Current)

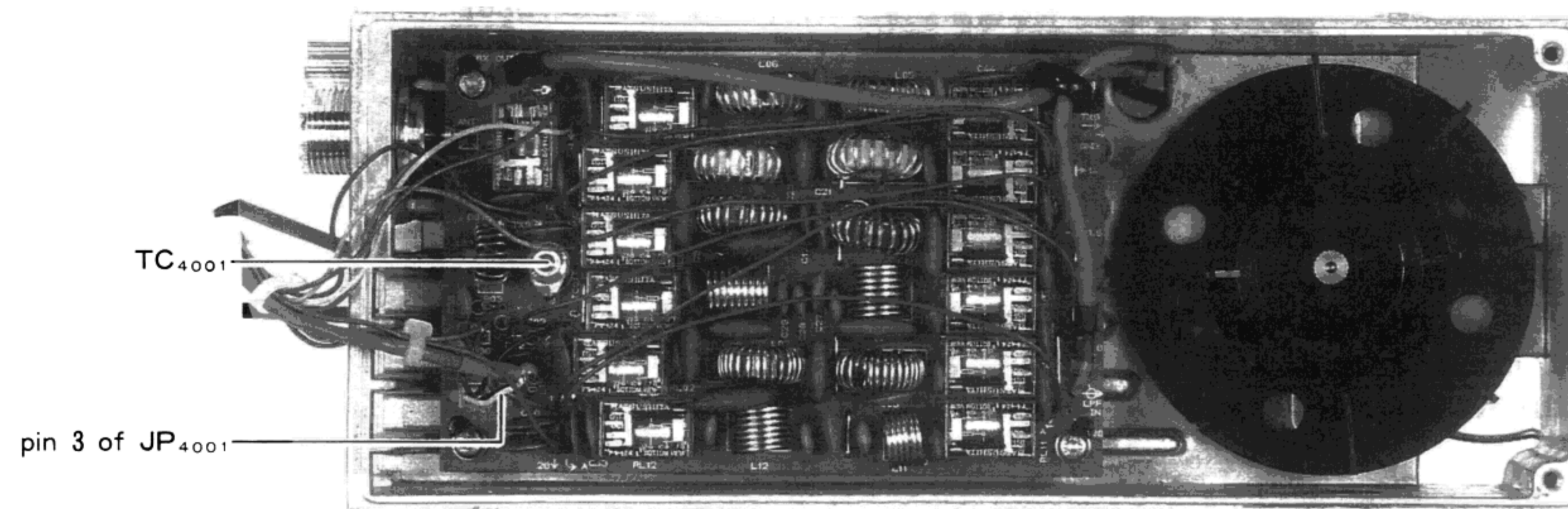
1. Temporarily remove the jumper indicated below, and connect the DC milliammeter (set to 500 mA range) in its place.
2. Set the transceiver to USB mode, and set the MIC gain fully counterclockwise.
3. Press the MOX button and adjust VR5001 for 200 ±50 mA on the milliammeter.
4. Press the MOX button again to return to receive, remove the milliammeter and reinstall the jumper.



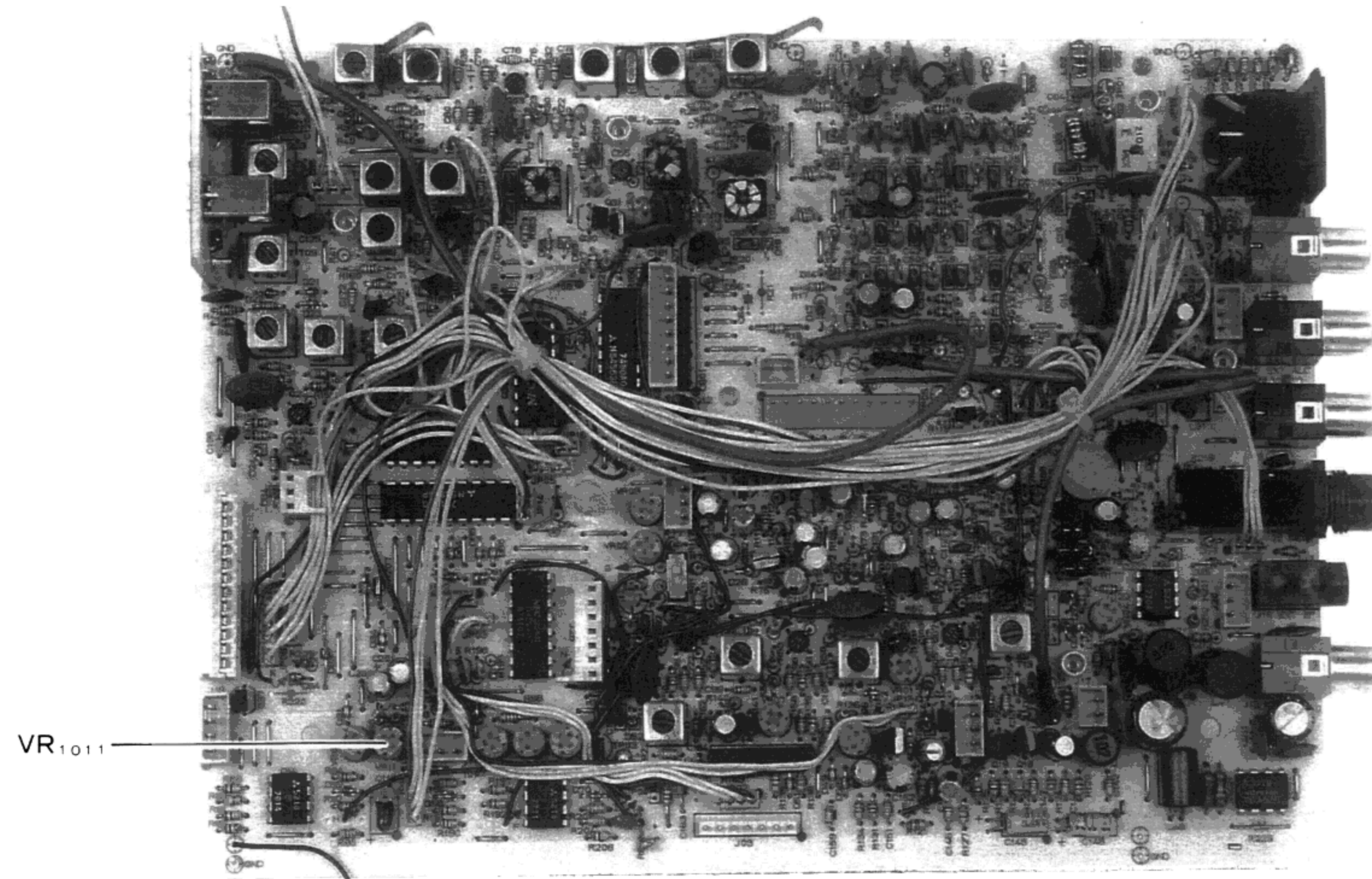
100W PA UNIT ALIGNMENT POINTS

VI. LPF Unit (CM Coupler Balance)

1. Connect the dummy load to the antenna jack, and the DC voltmeter between pin 3 of JP4001 and chassis ground.
2. Tune to 14.2000 MHz, CW mode, and set the DRIVE control fully clockwise.
3. Press the MOX button and adjust TC4001 for minimum deflection on the voltmeter.
4. Press the MOX button again to return to receive, and remove the test equipment.



LPF UNIT ALIGNMENT POINTS



MAIN UNIT ALIGNMENT POINT
(AFP Section)

VII. Main Unit (AFP - Automatic Final Protection)

1. Connect the wattmeter and 16.7-ohm dummy load (three 50-ohm loads in parallel) to the antenna jack.
2. With the transceiver tuned to 14.2000 MHz, CW mode, set the DRIVE control fully clockwise.
3. Press the MOX button and adjust VR1011 for 75W output.
4. Press the MOX button again to return to receive, and disconnect the test equipment.

| MAIN CHASSIS | | | | MAIN UNIT | | | |
|--------------|-----------|---|----------------------|------------|-----------|------------------------|-----------|
| Symbol No. | Part No. | Description | Device | Symbol No. | Part No. | Description | Device |
| Q1 | G1090778 | IC | L7809 | R7125850 | | Press Board | |
| Q2 | G1090294 | IC | uPC7808H | R0125890 | | Fitting | |
| VR1 | J6280097 | Potentiometer | 10KA/10kB (AF/SQ) | R7125900 | | Sponge | |
| VR2 | J6280098 | Potentiometer | 10kB/10kB(MIC/DRIVE) | R0126000 | | Clamp | |
| C1 | K19149025 | Ceramic CAP. | 50WV 0.1uF | R7125631 | | Sponge Rubber | |
| C2 | K13179009 | Ceramic CAP. ▲ | F 50WV 0.047uF | R3126040 | | Rubber Foot | |
| C3 | K10176102 | Ceramic CAP. | B 50WV 0.001uF | R7126140 | | Plate | |
| C4 | K13179008 | Ceramic CAP. | F 50WV 0.01uF | R7126150 | | Plate | |
| C5 | K19149025 | Ceramic CAP. | 50WV 0.1uF | R6100980A | | Nut | |
| L1 | L9190010 | Ferrite Beads | | R7126400 | | Plate | |
| L2 | L9190047 | Ferrite Beads | | R7126410 | | Fiber | |
| SP1 | M4090030 | Speaker | 1.5W 8 ohm | R7126640 | | Sheet | |
| J1 | P1090194 | Connector (ANT) | | R8124070 | | Nameplate "FT-747SX" • | |
| J2 | P0090158 | Connector (MIC) | | R8124090 | | Nameplate "FT-747GX" ▲ | |
| J3 | P0090026 | Connector (13.8V DC) | | R0124080A | | Motor Holder | |
| Q9000078 | | Terminal | | R3056970B | | Radial Fan | |
| Q9000192 | | Sarcon | | M2190004 | | Motor MDN-7R1 | DC13.5V |
| Q9000125 | | Insulator | | T9205619 | | Wire ASSY | |
| T9205617 | | Wire ASSY | P1-P2 | | | | |
| T9205618 | | Wire ASSY | P3-P4 | | | | |
| T9315504 | | Wire ASSY | P5-P6 | | | | |
| T9205619 | | Wire ASSY ▲ | P7 | | | | |
| T9205620 | | Wire ASSY | P8 | | | | |
| T9205621 | | Wire ASSY | P9 | | | | |
| T9205622 | | Wire ASSY | P10 | | | | |
| T9205623A | | Wire ASSY | P11 | | | | |
| T9205624A | | Wire ASSY | P12 | | | | |
| T9205625 | | Wire ASSY | P13 | | | | |
| T9311301B | | Wire ASSY | P14 | | | | |
| T9317811 | | Wire ASSY | P15 | | | | |
| T9317825 | | Wire ASSY | | | | | |
| R3510940A | | Panel | | | | | |
| R3123790 | | Filter | | | | | |
| R3123800 | | Knob (MAIN) | | | | | |
| R3123830 | | Knob (AF, MIC) | | | | | |
| R6123840 | | Knob (SQL, DRIVE) | | | | | |
| R3123850A | | Knob (CLAR) | | | | | |
| R3123870A | | Knob (D LOCK) | | | | | |
| R3123890 | | Knob (MODE) | | | | | |
| R3123910 | | Knob (VFO MR) | | | | | |
| R3123930 | | Knob (VFO M) | | | | | |
| R3123950 | | Knob (M VFO) | | | | | |
| R3123960 | | Knob (SPLIT) | | | | | |
| R3123980 | | Knob (PRIM) | | | | | |
| R3123990 | | Knob (FAST) | | | | | |
| R3124020A | | Knob (POWER) | | | | | |
| R3124030B | | Knob (NAR) | | | | | |
| R3124040A | | Knob (ATT) | | | | | |
| R3124050A | | Knob (NB, MOX) | | | | | |
| R3124190 | | Ring | | | | | |
| R3804450A | | Case Top | | | | | |
| R3804460A | | Case Bottom | | | | | |
| R5510950A | | Side Trim | | | | | |
| R0510960 | | Heatsink Cover | | | | | |
| R0510970A | | Heatsink Cover | | | | | |
| R4804670A | | Heatsink | | | | | |
| R0124060 | | Fitting | | | | | |
| R3124010 | | Knob | | | | | |
| R5510951 | | Side Trim | | | | | |
| R3124800 | | | | | | | |
| R7049015 | | SP Net | | | | | |
| R3100700 | | Foot | | | | | |
| R0100690A | | Stand | | | | | |
| R7125160 | | Sponge | | | | | |
| R7125170 | | Sponge | | | | | |
| R7125230 | | Press Board | | | | | |
| R7125430 | | Sponge | | | | | |
| R7125450 | | Sponge | | | | | |
| R7125460 | | Sponge | | | | | |
| R7125630 | | Sponge | | | | | |
| R6125640A | | Washer | | | | | |
| R8013580 | | Name Plate | | | | | |
| R0116420 | | Ground Lug | | | | | |
| R7125830 | | Sheet | | | | | |
| F2942000A | | Printed Circuit Board | | Q1001 | G3801250 | FET | 2SK125 |
| C029420AA | | PCB with Components (10W: Version F) | | Q1002 | G3801250 | FET | 2SK125 |
| C029420AB | | PCB with Components (100W: Version F) | | Q1003 | G4800740L | FET | 3SK74L |
| C029420AC | | PCB with Components | | Q1004 | G3802410Y | FET | 2SK241Y |
| C029420AD | | PCB with Components w/o NB UNIT (10W: Version F) | | Q1005 | G4800740L | FET | 3SK74L |
| C029420AE | | PCB with Components w/o NB UNIT (100W: Version F) | | Q1006 | G4800740L | FET | 3SK74L |
| C029420AF | | PCB with Components w/o NB UNIT | | Q1007 | G4800740L | FET | 3SK74L |
| | | | | Q1008 | G3304580B | Transistor | 2SC458B |
| | | | | Q1009 | G3304580B | Transistor | 2SC458B |
| | | | | Q1010 | G3801040J | FET | 2SK104J |
| | | | | Q1011 | G3801921G | FET | 2SK192AGR |
| | | | | Q1012 | G3107331P | Transistor | 2SA733AP |
| | | | | Q1013 | G3090074 | Transistor | BA1A4M |
| | | | | Q1014 | G1090633 | IC | M5218P |
| | | | | Q1015 | G3304580B | Transistor | 2SC458B |
| | | | | Q1016 | G3304580B | Transistor | 2SC458B |
| | | | | Q1017 | G3090077 | Transistor | BA1L3Z |
| | | | | Q1018 | G3304580B | Transistor | 2SC458B |
| | | | | Q1019 | G3304580B | Transistor | 2SC458B |
| | | | | Q1020 | G3090074 | Transistor | BA1A4M |
| | | | | Q1021 | G3304580B | Transistor | 2SC458B |
| | | | | Q1022 | G1090101 | IC | uPC1037H |
| | | | | Q1023 | G4800740L | FET | 3SK74L |
| | | | | Q1024 | G3802410Y | FET | 2SK241Y |
| | | | | Q1025 | G3802410Y | FET | 2SK241Y |
| | | | | Q1026 | G3305350B | Transistor | 2SC535B |
| | | | | Q1027 | G3801250 | FET | 2SK125 |
| | | | | Q1028 | G3304580B | Transistor | 2SC458B |
| | | | | Q1029 | G3090074 | Transistor | BA1A4M |
| | | | | Q1030 | G3090074 | Transistor | BA1A4M |
| | | | | Q1031 | G3090078 | Transistor | DTA143ES |
| | | | | Q1032 | G3320530 | Transistor | 2SC2053 |
| | | | | Q1033 | G3090074 | Transistor | BA1A4M |
| | | | | Q1034 | G1090633 | IC | M5218P |
| | | | | Q1035 | G3304584B | Transistor | 2SC458BTZ |
| | | | | Q1036 | G1090749 | IC | M5223P |
| | | | | Q1037 | G3090074 | Transistor | BA1A4M |
| | | | | Q1038 | G1090721 | IC | M54563P |
| | | | | Q1039 | G1090657 | IC | uPD4028BC |
| | | | | Q1040 | G1090836 | IC | M54564P |

• 10W Type
▲ 100W Type

